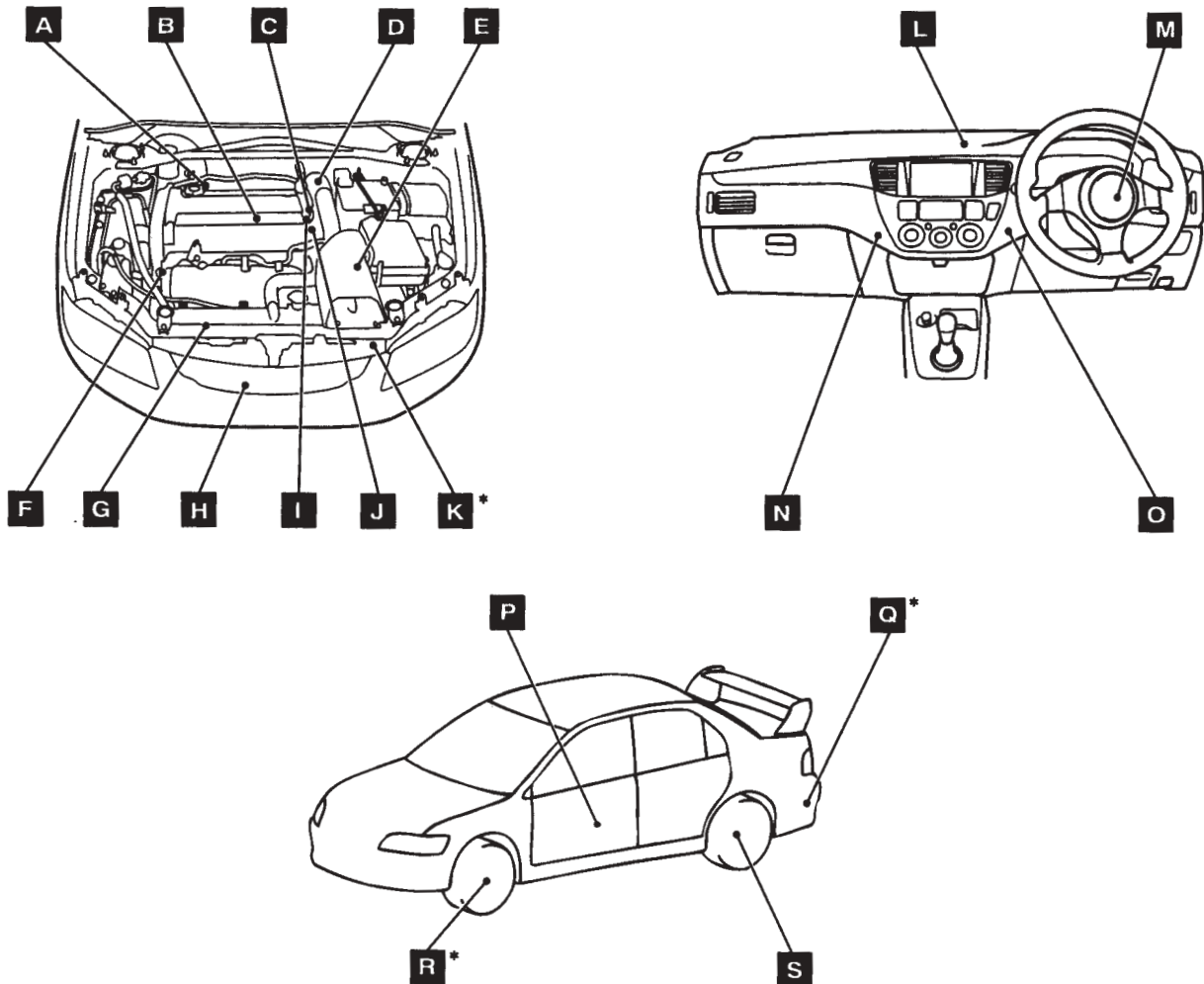

SECTION 2**INDIVIDUAL PART
INSTALLATION POSITIONS****CONTENTS**

Sensors	2-2	Fusible links / Fuses	2-12
ECU	2-6	Inspection connectors / Spare connectors	2-13
Relays	2-9	Ground cables.....	2-14
Solenoid valves.....	2-10	Earths.....	2-15

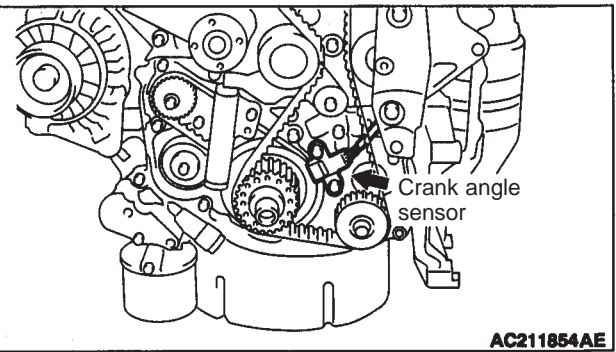
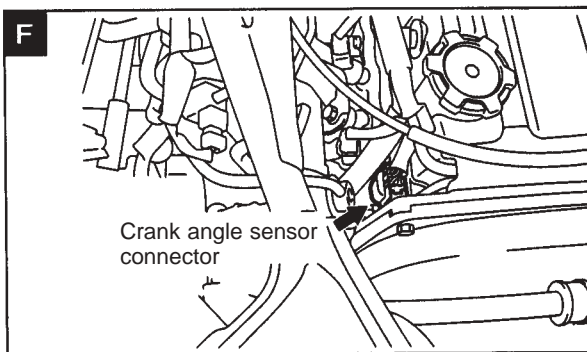
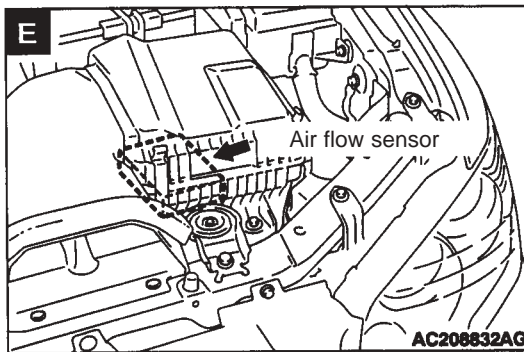
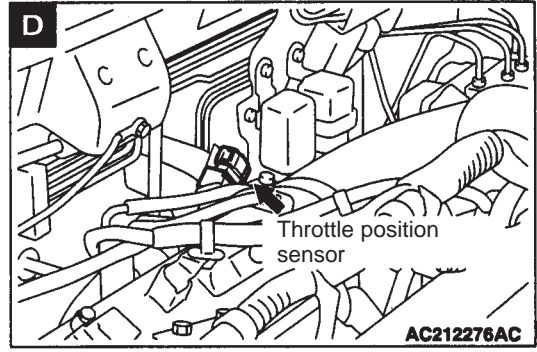
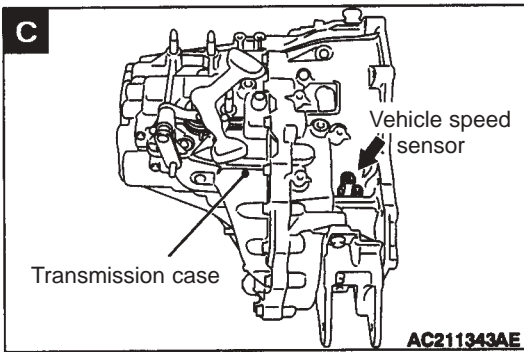
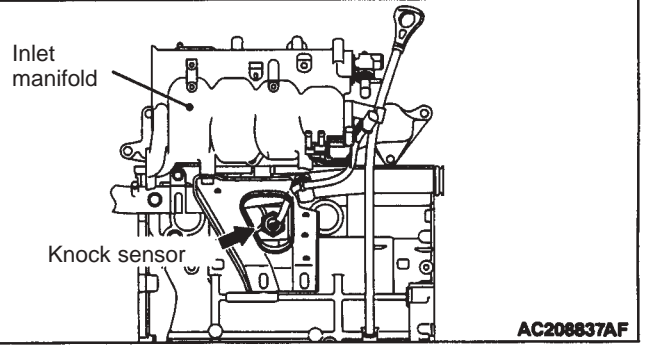
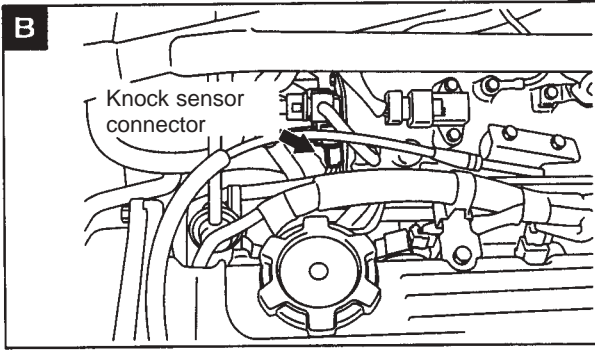
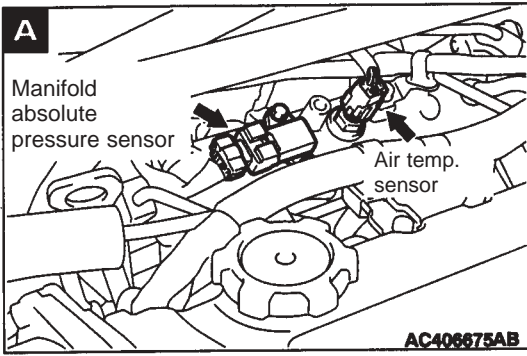
SENSORS

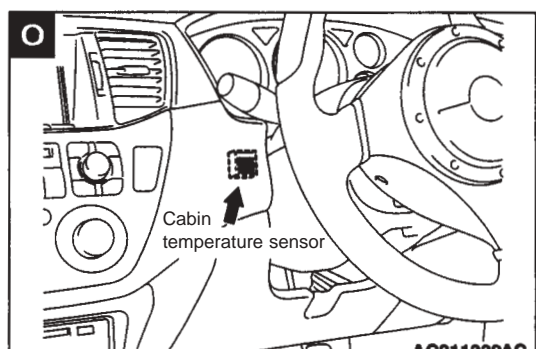
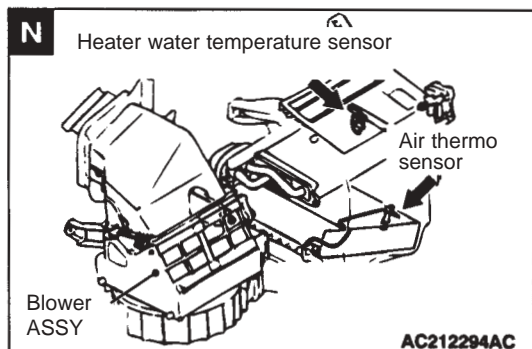
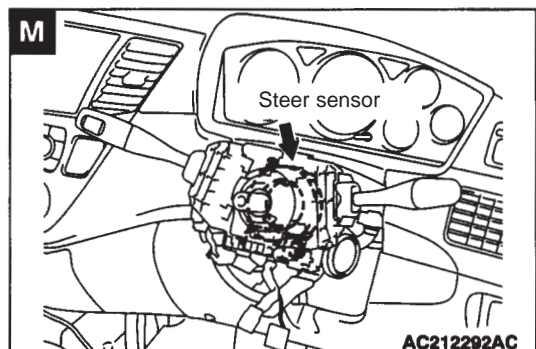
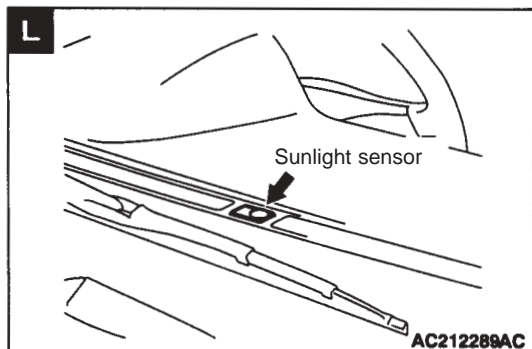
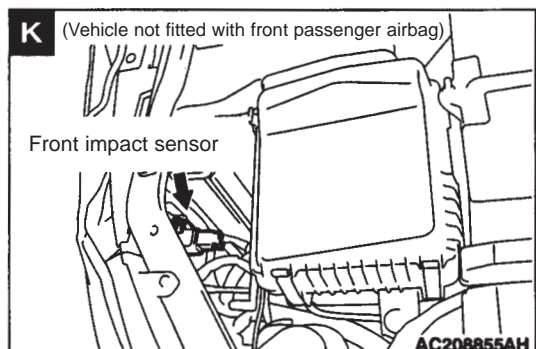
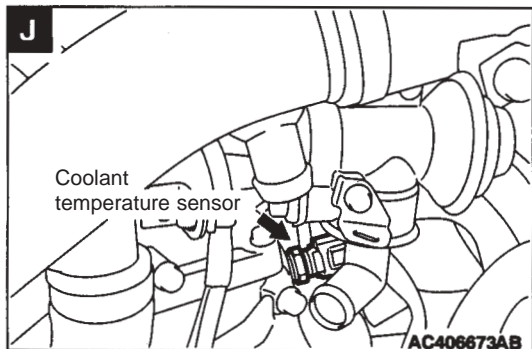
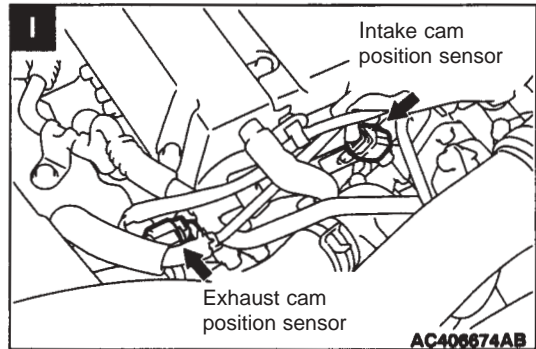
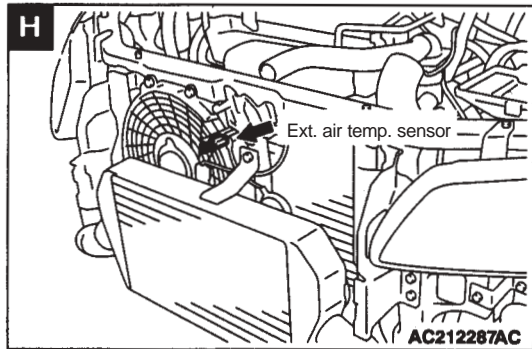
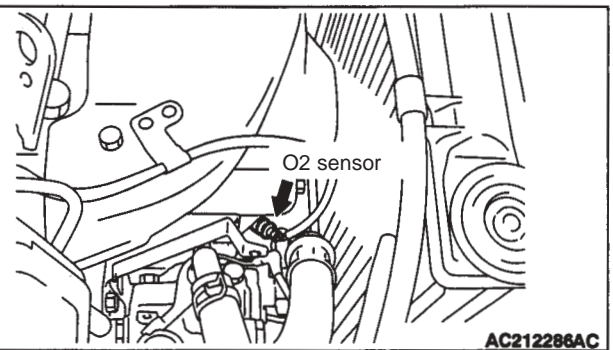
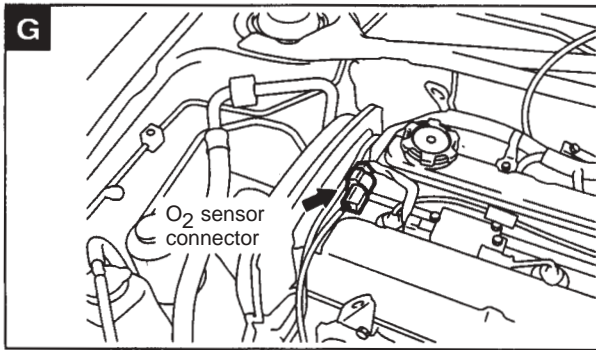
Name	Symbol	Name	Symbol
O ₂ sensor	G	Front/rear G sensor	P
Intake cam position sensor	I	Sunlight sensor (vehicle with full auto A/C)	L
Air thermo sensor (vehicle with full auto A/C)	N	Knock sensor	B
Air temperature sensor	A	Heater water temperature sensor (vehicle with full auto A/C)	N
Air flow sensor	E	Front ABS sensor	R
Exhaust cam position sensor	I	Front impact sensor (vehicle not fitted with front passenger airbag)	K
External air temperature sensor (vehicle with full auto A/C)	H	Manifold absolute pressure sensor	A
Crank angle sensor	F	Oil pressure unit ASSY (with built-in pressure sensor)	Q
Cabin temperature sensor (vehicle with full auto A/C)	O	Lateral G sensor	P
Vehicle speed sensor	C	Rear ABS sensor	S
Coolant temperature sensor	J		
Steer sensor	M		
Throttle position sensor	D		

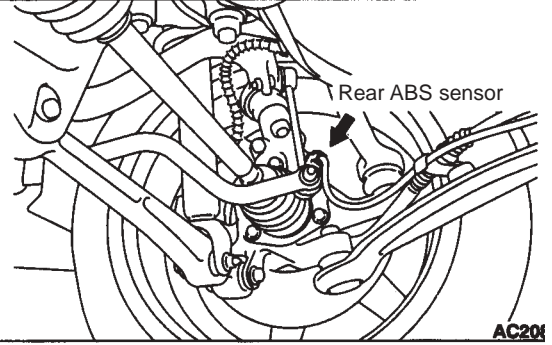
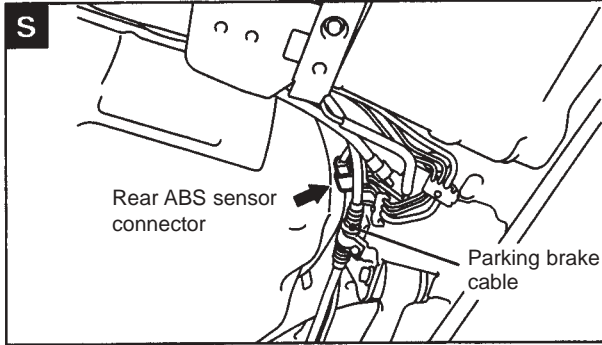
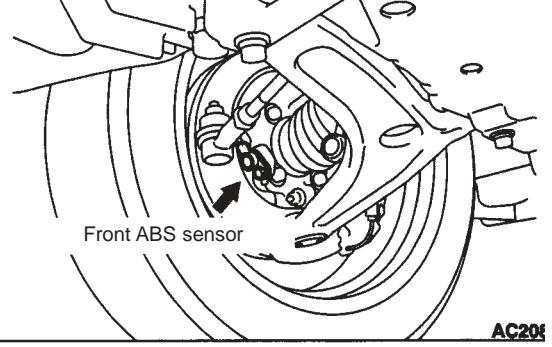
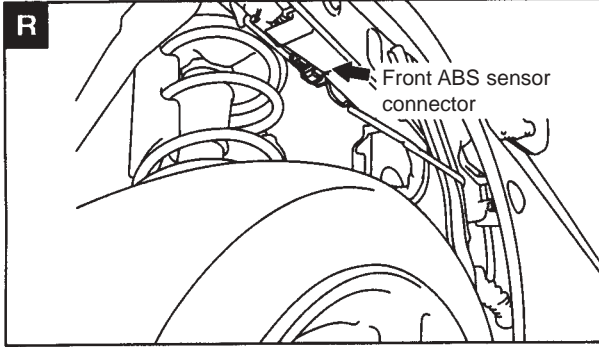
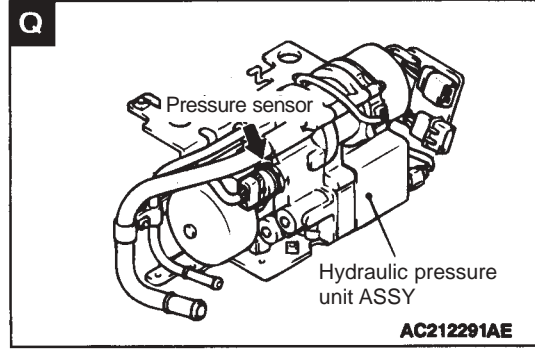
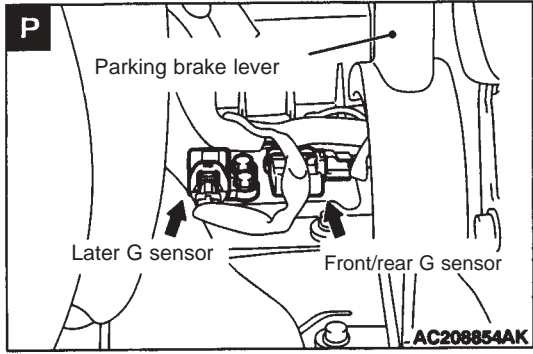


AC406945AB

Note : The * symbol indicates that the sensor is also fitted on the right-hand side of the vehicle.

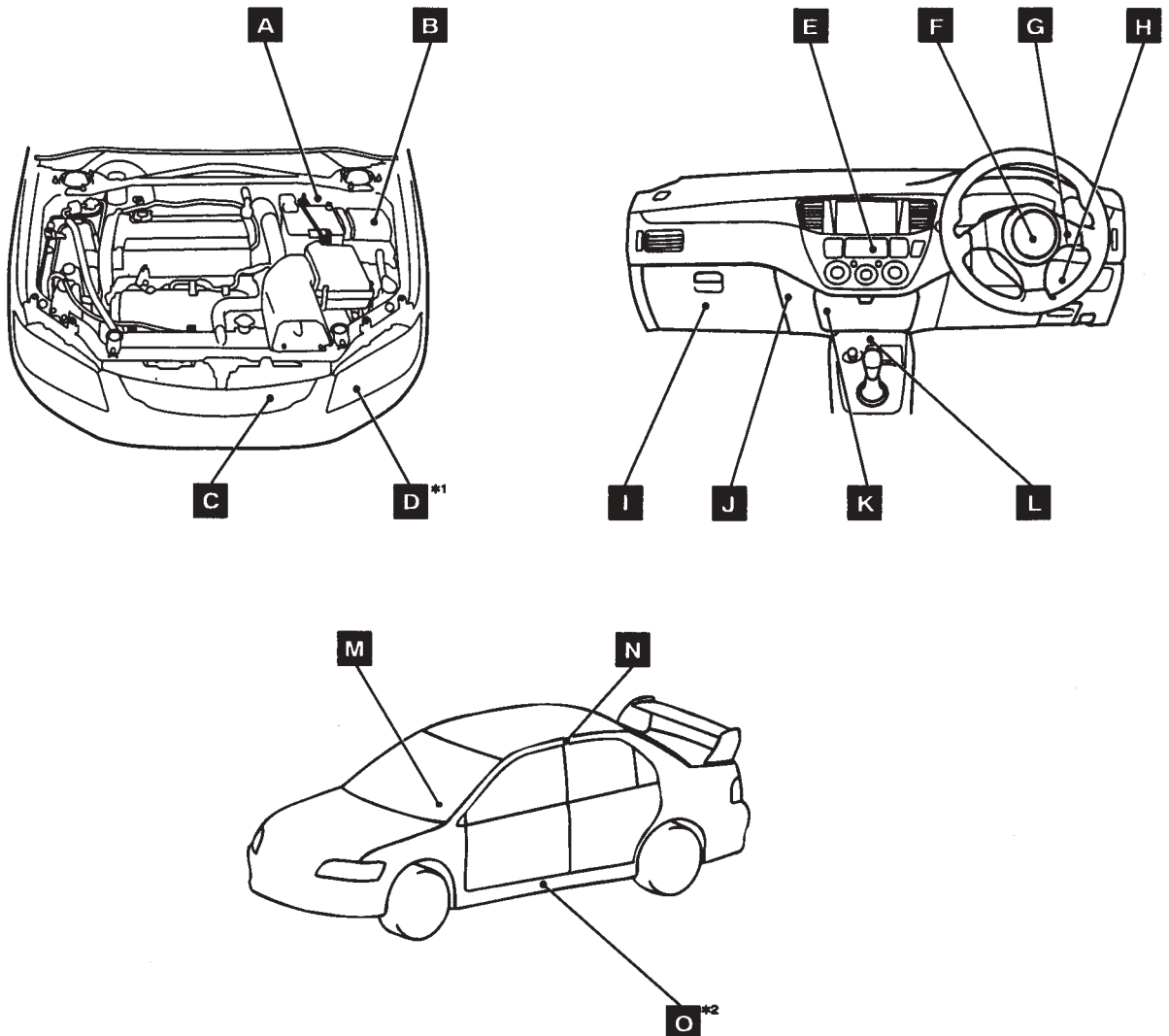






ECU

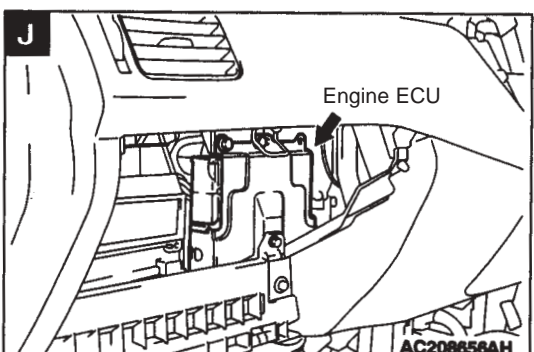
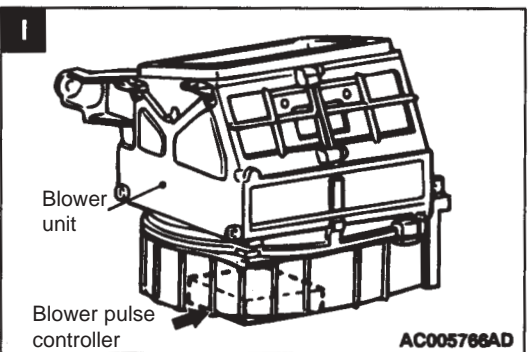
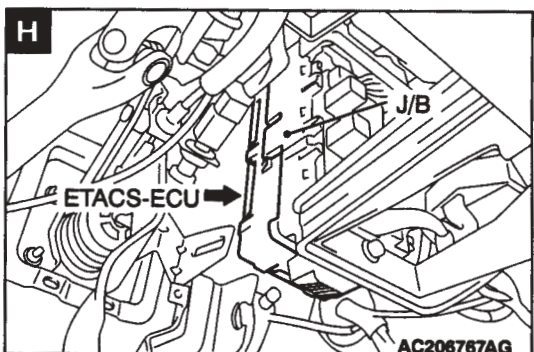
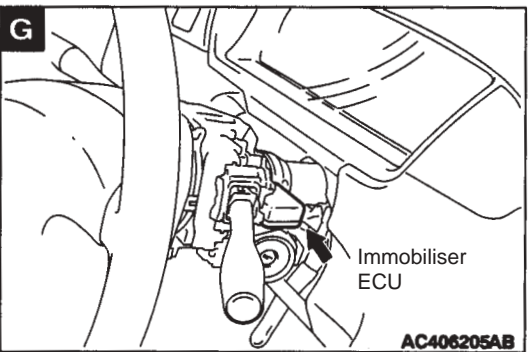
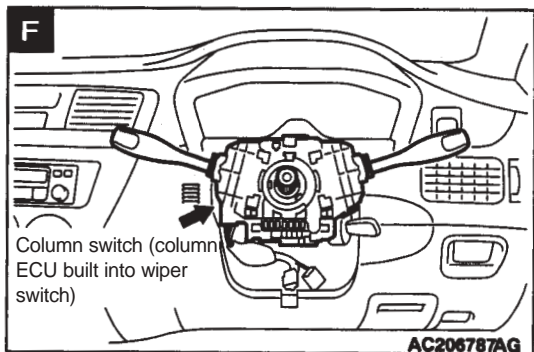
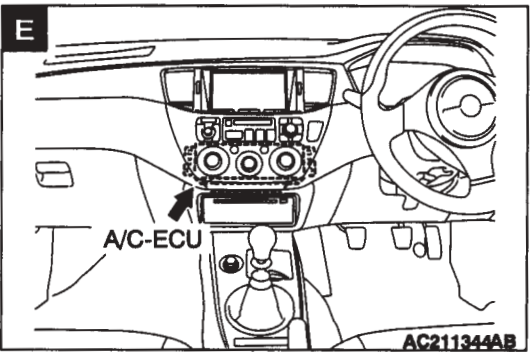
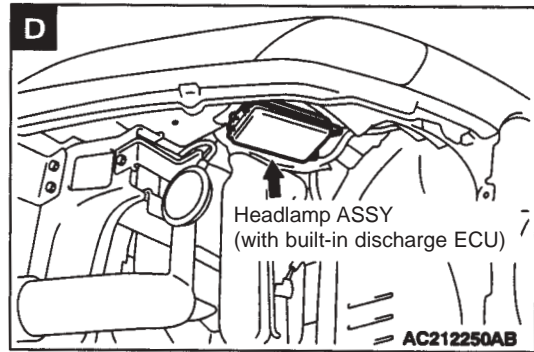
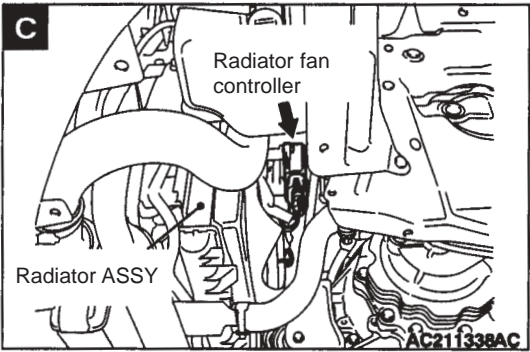
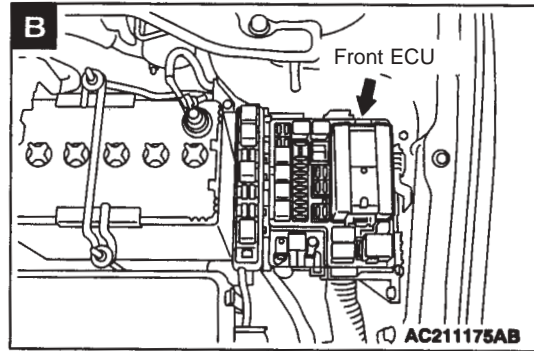
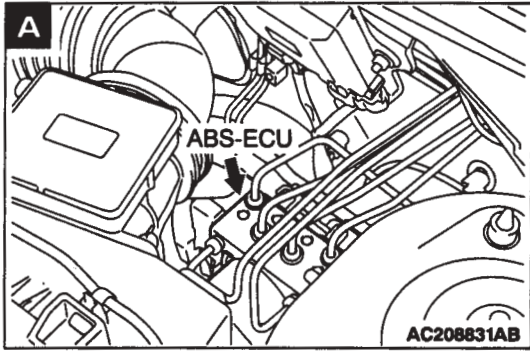
Name	Symbol	Name	Symbol
4WD-ECU	K	Sunroof motor ASSY (with built-in ECU)	N
ABS-ECU	A	Power window sub-switch (with built-in ECU)	O
ETACS-ECU	H	Power window main switch (with built-in ECU)	M
SRS-ECU	L	Front ECU	B
A/C-ECU (vehicle with full auto A/C)	E	Blower pulse controller (vehicle with full auto A/C)	I
Immobiliser ECU	G	Headlamp ASSY (with built-in discharge ECU) (vehicle with discharge headlamps)	D
Engine ECU	J	Radiator fan controller	C
Column switch (Column ECU built into wiper switch)	F		

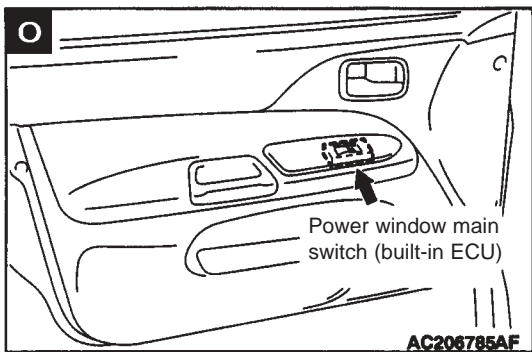
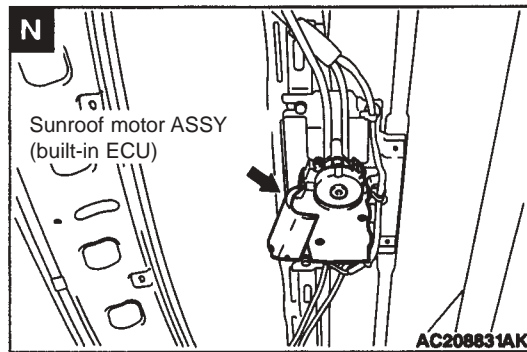
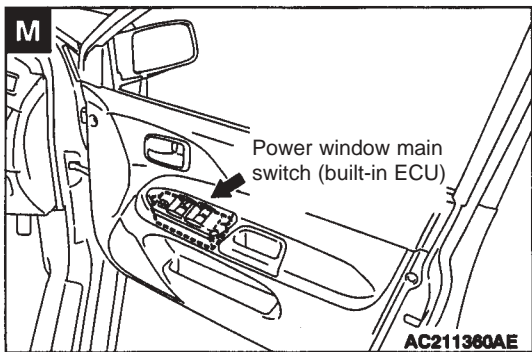
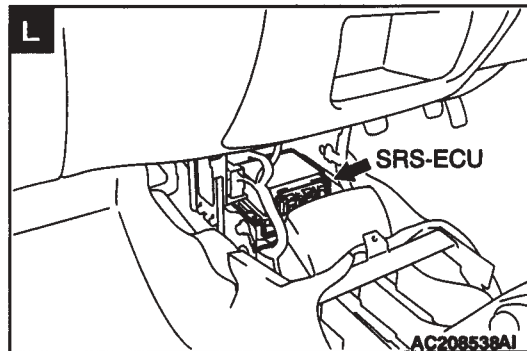
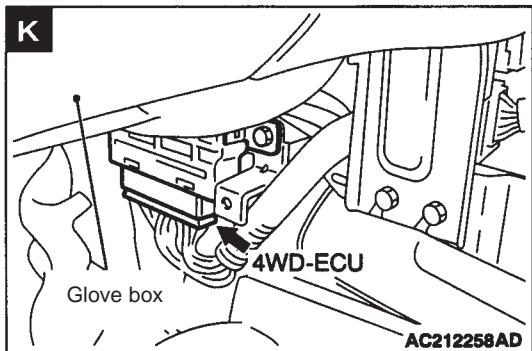


AC408943AB

Note :

- The *1 symbol indicates that the ECU is also fitted on the right-hand side.
- The *2 symbol indicates that the ECU is also fitted at the rear door (LH, RH).

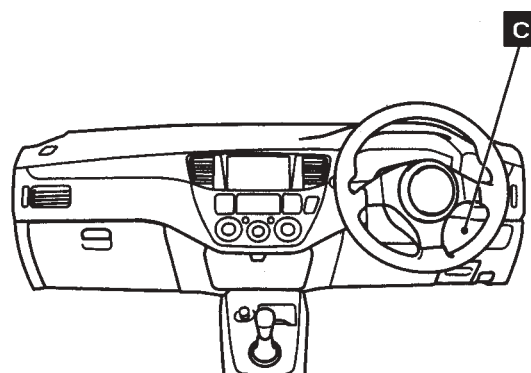
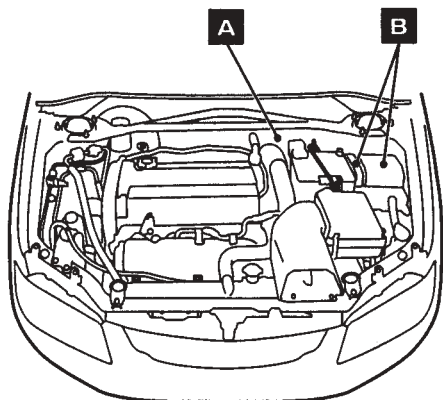




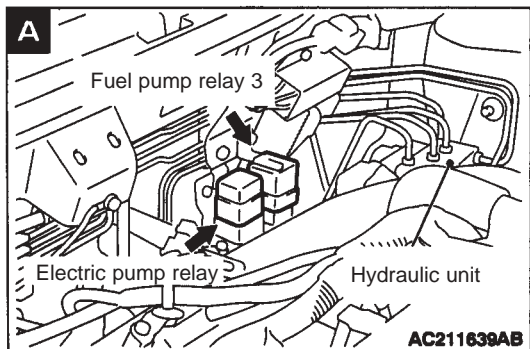
RELAYS

M3020000400514

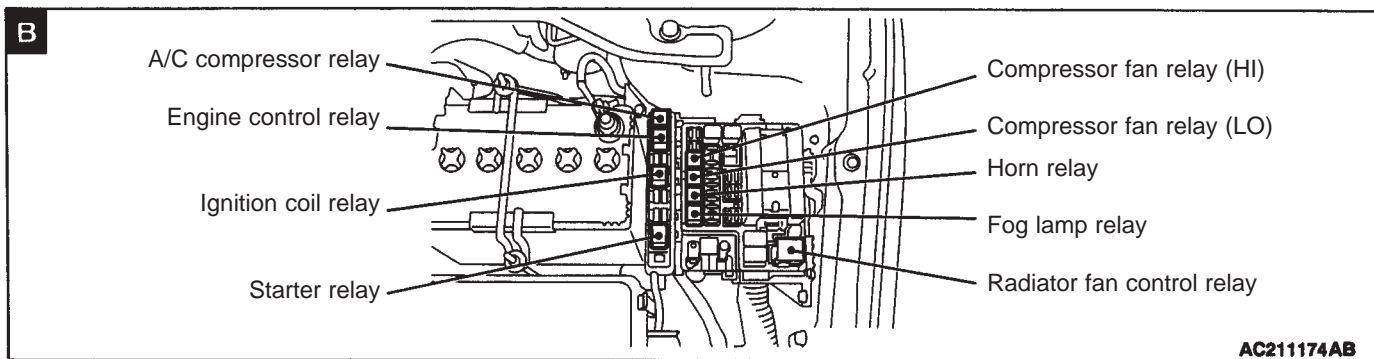
Name	Symbol	Name	Symbol
A/C compressor relay	B	Power window relay	C
Ignition coil relay	B	Fog lamp relay	B
Intercooler water spray relay	C	Fuel pump relay 1	C
Engine controller relay	B	Fuel pump relay 2	C
Compressor fan relay (HI)	B	Fuel pump relay 3	A
Compressor fan relay (LO)	B	Blower relay	C
Starter relay	B	Horn relay	B
Demister relay	C	Radiator fan control relay	B
Electric pump relay	A		



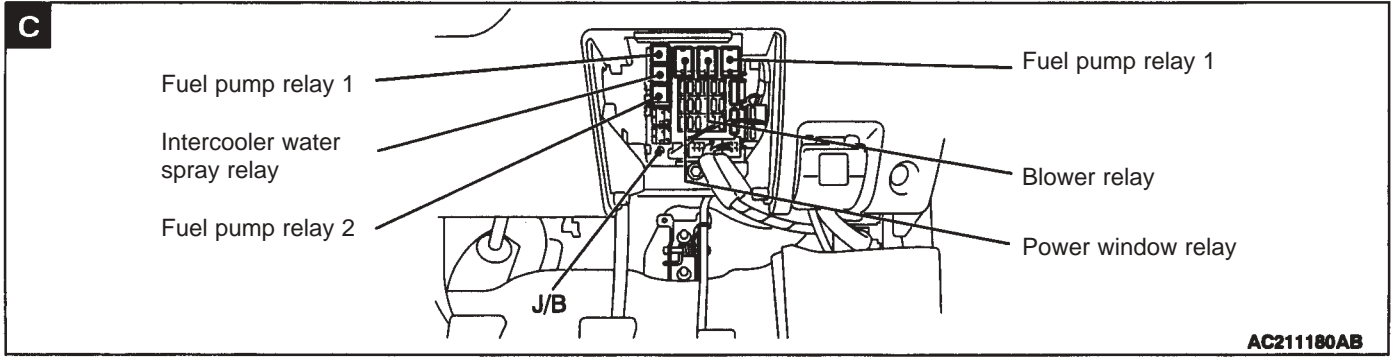
AC406946AB



AC211639AB

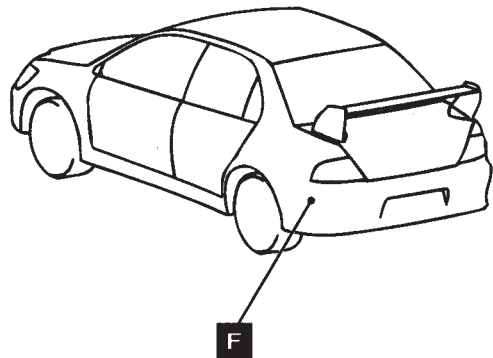
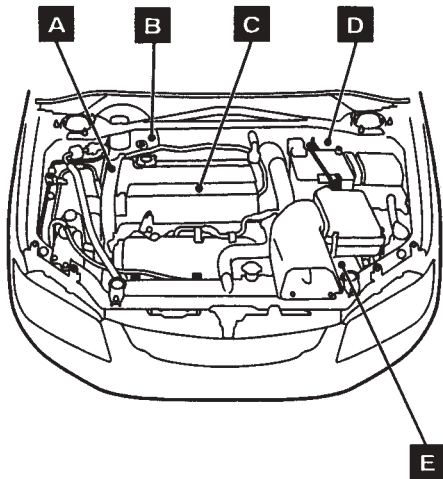


AC211174AB

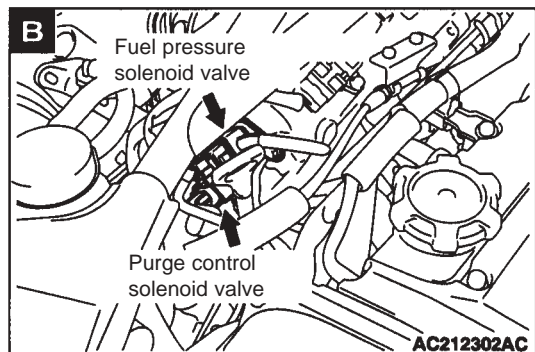
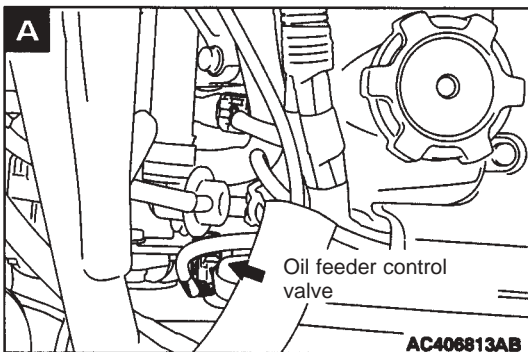


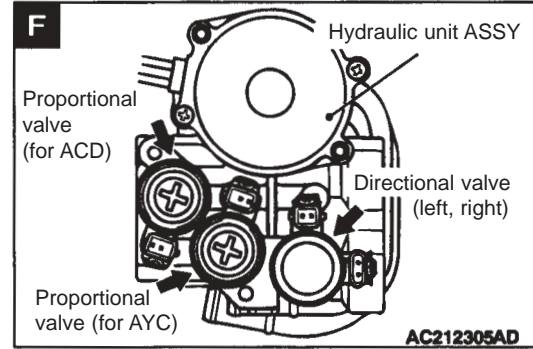
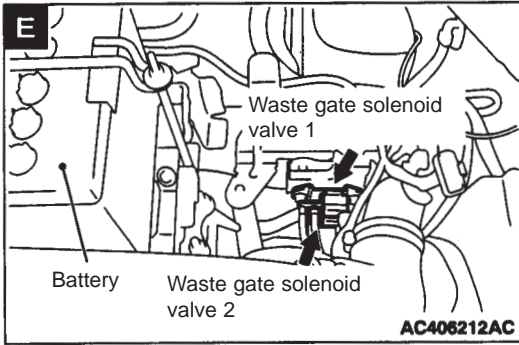
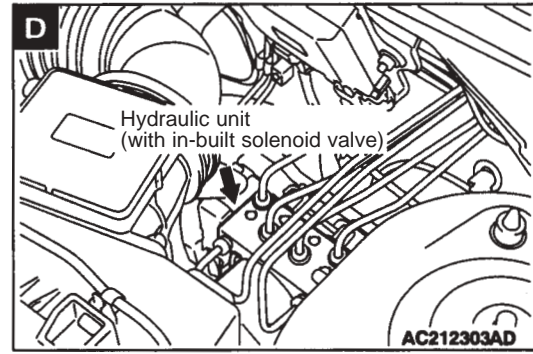
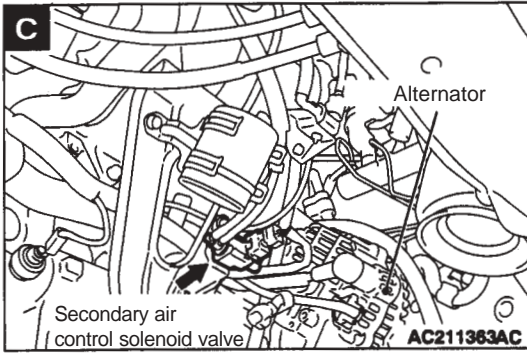
SOLENOID VALVES

Name	Symbol	Name	Symbol
Secondary air control solenoid valve	C	Hydraulic unit (built-in solenoid valve) (vehicle with ABS)	D
Waste gate solenoid valve 1	E	Purge control solenoid valve	B
Waste gate solenoid valve 2	E	Fuel pressure solenoid valve	B
Oil feeder control valve	A	Oil pressure unit ASSY (with built-in proportional valve, directional valve)	F



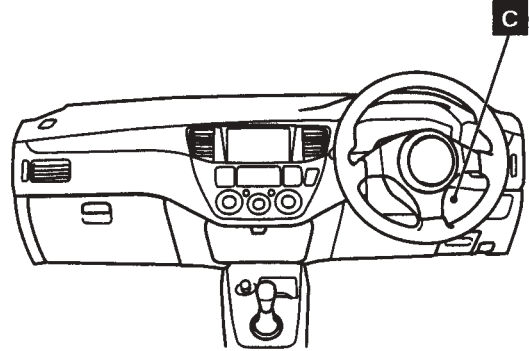
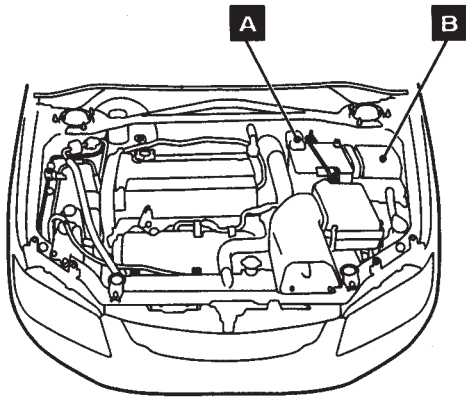
AC406847AB



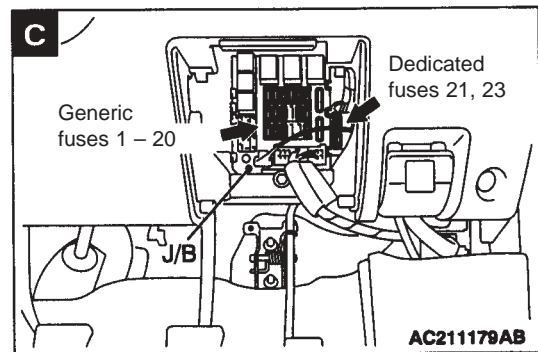
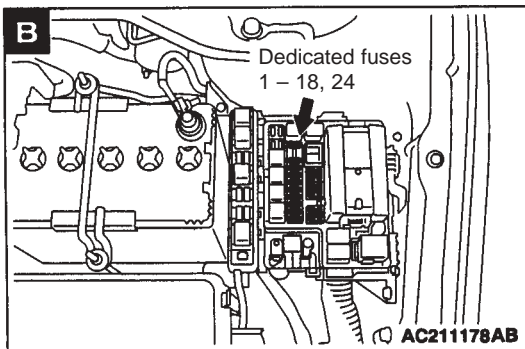
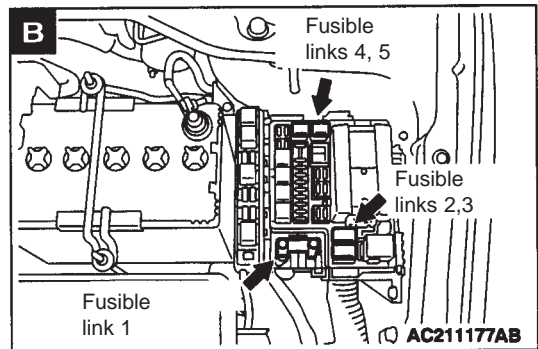
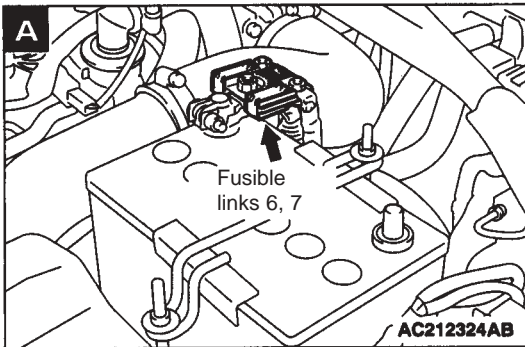


FUSIBLE LINKS / FUSES

Name	Symbol	Name	Symbol
Dedicated fuses 1 – 18, 24	B	Fusible links 1 – 5	B
Dedicated fuse 21, 23	C	Fusible links 6, 7	A
Generic fuses 1 – 20	C		

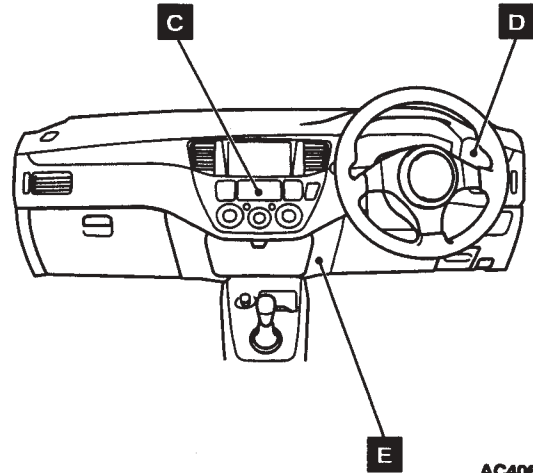
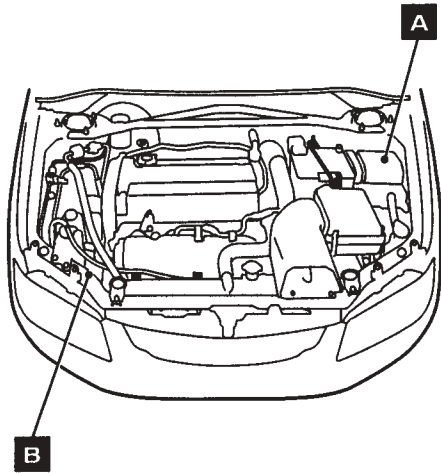


AC406944AB

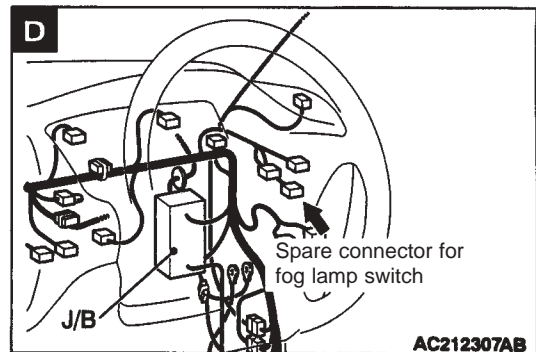
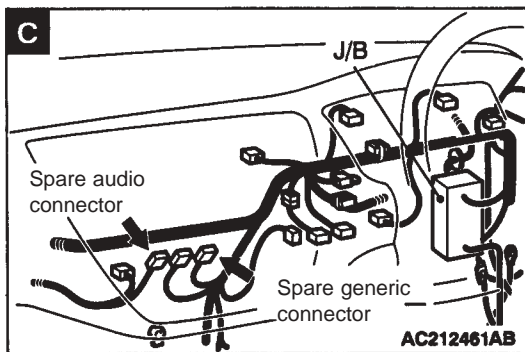
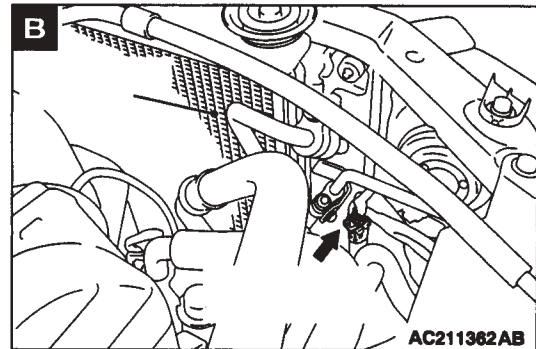
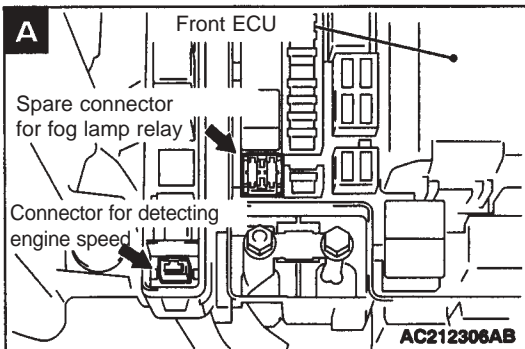


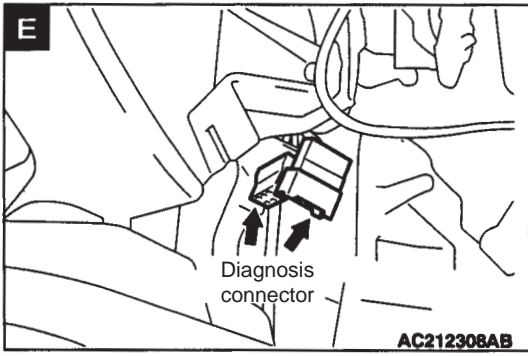
INSPECTION CONNECTORS / SPARE CONNECTORS

Name	Symbol	Name	Symbol
Engine speed detection connector	A	Spare connector for fog lamp switch	D
Spare audio connector	C	Spare connector for fog lamp	B
Diagnosis connector	E	Spare connector for fog lamp relay	A
Spare generic connector	C		



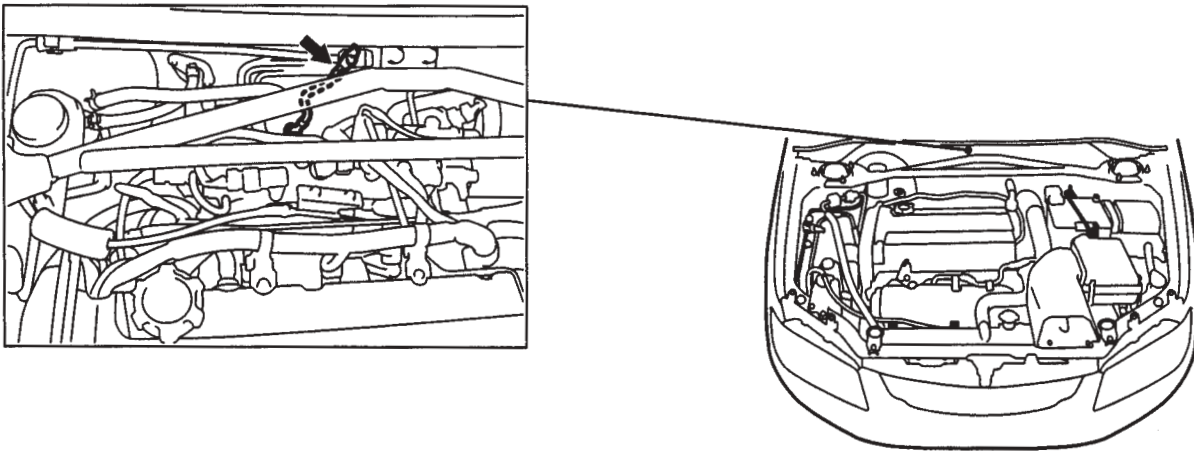
AC406948AB





EARTH CABLES

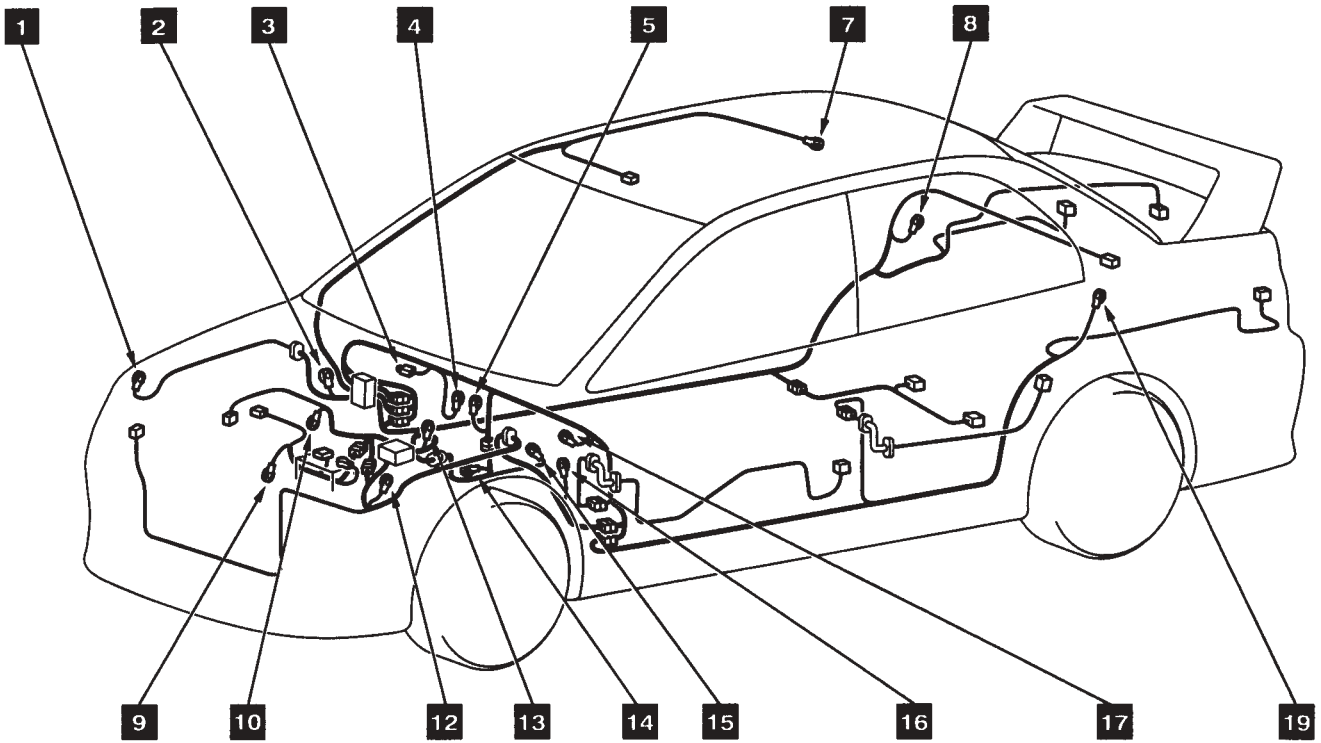
M3020001000445



AC406805AB

EARTHS

M302000300465



AC212312AB

Note : These earth numbers are the same as those used in the circuit diagrams.

