

SECTION 8

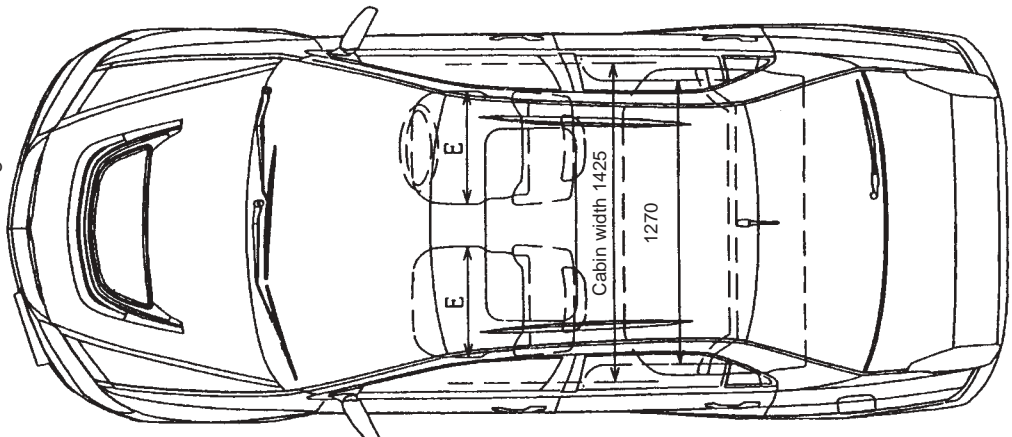
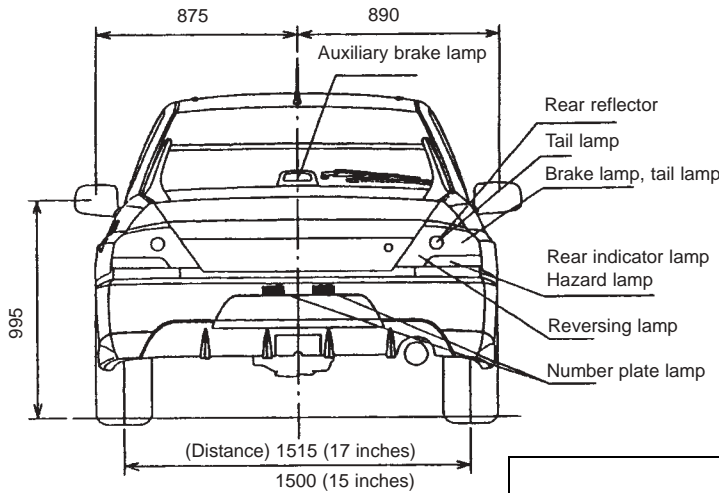
REFERENCE MATERIALS

CONTENTS

<b>4-Aspect diagram.....8-1</b>	<b>Outline equipment .....8-7</b>
<b>Main specifications.....8-3</b>	<b>Cold climate specifications .....8-9</b>
<b>Detailed specifications.....8-6</b>	

**4-Aspect diagram**

1. The 4-aspect diagram is based on application materials. There may be differences to the actual equipment.
2. Please refer to the Schedule of Lighting Devices for details of lighting fittings.

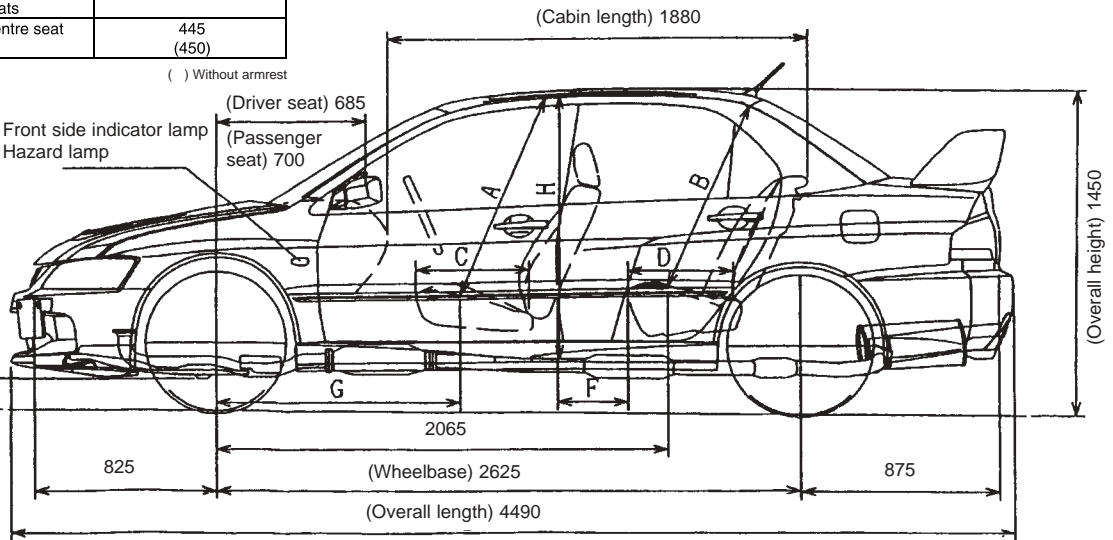
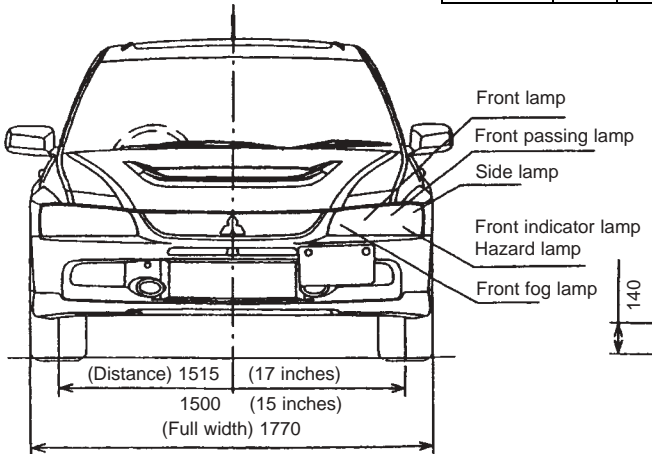


		Sunroof	
		Without	With
Head clearance	A	Low back	980
		High back (Recaro)	1030
	B	Left/Right seats	885
		Centre seat	865 (880) / 840 (875)
Seat depth	C	Low back	490
		High back (Recaro)	490
	D	Left/Right seats	460
		Centre seat	445 (450)

Set width	E	Low back	500
		High back (Recaro)	500
Space between seats	F	Low back	300 <sup>+130</sup> <sub>-120</sub>
		High back (Recaro)	295 <sup>+115</sup> <sub>-115</sub>
Front seat occupant position	G	Low back	1110
		High back (Recaro)	1150

Interior height	H	Sunroof	
		With	Without
		1185	1140

\*: SNDFZ, SNGFZ are without sunroof specification



( ) Without armrest

(units : mm)

**Schedule of Lighting Devices**

(units : mm)

Item		Vehicles fitted with halogen front lamps	Vehicles fitted with discharge-type front lamps
Dipped headlight	Installation height	Upper edge /Lower edge 675/600	
	Distance from extreme side of the vehicle		155
Front fog lamp (integrated into front lamps)	Installation height	Upper edge /Lower edge - 630/565	
	Distance from extreme side of the vehicle		- 380
Side lamp (integrated into front lamps)	Installation height	Upper edge /Lower edge 685/615	
	Distance from extreme side of the vehicle		65
Tail lamp (inside)	Installation height	Upper edge /Lower edge 860/765	
	Distance from extreme side of the vehicle		230
Rear reflector	Installation height	Upper edge /Lower edge 840/785	
	Distance from extreme side of the vehicle		245
Tail lamp (outside) Brake lamp	Installation height	Upper edge /Lower edge 855/765	
	Distance from extreme side of the vehicle		115
Auxiliary brake lamp (fitted inside cabin)	Installation height	Upper edge /Lower edge 1,085	
	Distance from bottom of window		Above the bottom edge of the window
	Distance from centre of vehicle		0
Indicator Hazard lamp (Front Incorporated into front lamps)	Installation height	Upper edge /Lower edge 610/560	
	Inner edge distance		1,380
	Distance from extreme side of the vehicle		80
Indicator Hazard lamp (Side Forward)	Installation height	Upper edge /Lower edge 695/665	
	Distance from the foremost part of the vehicle		1,265
Indicator Hazard lamp (Side Rear)	Installation height	Upper edge /Lower edge 745/710	
	Inner edge distance		1,120
	Distance from extreme side of the vehicle		110

**Main specifications**

Main specifications are based on the application materials. There may be differences to the actual equipment.

Vehicle name and type	Mitsubishi GH-CT9A
Chassis name and type	Mitsubishi CT9A
Name of manufacturer	Mitsubishi Motors Corporation
Type	Normal
Use	Passenger
Body shape	Box-shaped
Engine type	4G63
Capacity cc	1 997
Unique number	17 National No. 1800
Designated number	10893

## GH-CT9A

Item			GH-CT9A		
			SNDFZ	SJGFZ	SNGFZ
Classification No.			0120~0143	0144~0146	0147
Dimensions	Vehicle length mm		4,490		
	Vehicle width mm		1,770		
	Vehicle height mm		1,450		
	Wheelbase mm		2,625		
Weight			See weight chart		
Performance	Max. angle of stability	Left	50°		
		Right	50°		
Other	Wheel arrangement		Front 2 drive – Rear 2 drive		
	Tyre size	Front	205/65R15 94H (specified equipment etc.) 235/45ZR17, YOKOHAMA, A046		
		Rear	235/45R17 93W, YOKOHAMA, A046		

Note :

Please refer to the Weight Chart for classification numbers and equipment.

Weight chart

Item			GH-CT9A								
			SNDFZ								
Classification No.			0120	0121 (A)	0122 (7T)	0123 (A, 7T)	0124 (B,C, 7T)	0125 (A, B, C 7T)	0126 (V)	0127 (A, V)	
Weight	Vehicle weight kg	Front axle weight	810	820	←	830	←	840	820	830	
		Rear axle weight	510	←	520	←	530	←	510	←	
		Total	1,320	1,330	1,340	1,350	1,360	1,370	1,330	1,340	
	Number of passengers		5								
	Gross vehicle weight kg	Front axle weight	910	920	←	930	←	940	920	930	
		Rear axle weight	685	←	695	←	705	←	685	←	
Total		1,595	1,605	1,615	1,625	1,635	1,645	1,605	1,615		

Note

The symbols after the Classification Numbers indicate that the following equipment is fitted.

A : Air conditioning 7T : 17" tyres B : ABS C : AYC (Active Yaw Control System) V : Passenger side airbag

Item			GH-CT9A							
			SNDfZ							
Classification No.			0128 (7T, V)	0129 (A, 7T, V)	0130 (B, C, 7T, C)	0131 (A, B, C, 7T, V)	0132 (Q)	0133 (A, Q)	0134 (7T, Q)	0135 (A, 7T, Q)
Weight	Vehicle weight kg	Front axle weight	830	840	←	850	810	820	←	830
		Rear axle weight	520	←	530	←	520	←	530	←
		Total	1,350	1,360	1,370	1,380	1,330	1,340	1,350	1,360
Number of passengers			5							
Weight	Gross vehicle weight kg	Front axle weight	930	940	←	950	910	920	←	930
		Rear axle weight	695	←	705	←	695	←	705	←
		Total	1,625	1,635	1,645	1,655	1,605	1,615	1,625	1,635

Item			GH-CT9A							
			SNDfZ							
Classification No.			0136 (B, C, 7T, Q)	0137 (A, B, C, 7T Q)	0138 (V, Q)	0139 (A, V, Q)	0140 (7T, V, Q)	0141 (A, 7T, V, Q)	0142 (B, C, 7T, V, Q)	0143 (A, B, C, 7T, V, Q)
Weight	Vehicle weight kg	Front axle weight	830	840	820	830	←	840	←	850
		Rear axle weight	540	←	520	←	530	←	540	←
		Total	1,370	1,380	1,340	1,350	1,360	1,370	1,380	1,390
Number of passengers			5							
Weight	Gross vehicle weight kg	Front axle weight	930	940	920	930	←	940	←	950
		Rear axle weight	715	←	695	←	705	←	715	←
		Total	1,645	1,655	1,615	1,625	1,635	1,645	1,655	1,665

Item			GH-CT9A							
			SJGFZ			SNGFZ				
Classification No.			0144 (A, B, C, 7T, V, Q)		0145 (A, B, C, 7T, V, Q, Z)		0146 (A, B, C, 7T, V, Q, Z)		0147 (A, B, 7T, V, Q)	
Weight	Vehicle weight kg	Front axle weight	870		←		880		860	
		Rear axle weight	540		550		560		530	
		Total	1,410		1,420		1,440		1,390	
Number of passengers			5							
Weight	Gross vehicle weight kg	Front axle weight	970		←		980		960	
		Rear axle weight	715		725		735		705	
		Total	1,685		1,695		1,715		1,665	

Note

The symbols after the Classification Numbers indicate that the following equipment is fitted.

A : Air conditioning 7T : 17" tyres B : ABS C : AYC (Active Yaw Control System) V : Passenger side airbag

Q : Power windows Z : Steel roof

## DETAILED SPECIFICATIONS

These Detailed Specifications are based on submitted data, and may therefore differ from the actual equipment. The ★ symbol indicates specifications which have changed from the previous model.

ITEM				GH-CT9A	
Engine	Valve or port timing	Intake	Open	★ Timing switch mechanism 0~30° BTDC	
			Shut	★ Timing switch mechanism 80~50° ABDC	
Fuel tank capacity L			50 [SNDZF], 55 [★ SNGFZ, SJGFZ]		
Electrical equipment	Spark plug type			★ ILFR7H	
Power transmission equipment	Transmission	Gear ratios	1 <sup>st</sup> gear	2.785 (5MT), 2.909 (6MT)	
			2 <sup>nd</sup> gear	1.950 (5MT), 1.944 (6MT)	
			3 <sup>rd</sup> gear	1.444 (5MT), 1.434 (6MT)	
			4 <sup>th</sup> gear	1.096 (5MT), 1.100 (6MT)	
			5 <sup>th</sup> gear	★ 0.761 (synchro) [5MT], 0.868 (synchro) [6MT]	
			6 <sup>th</sup> gear	0.693 (6MT)	
			Reverse	3.416 (5MT), 2.707 (6MT)	



Equipment			4WD			
			RS	GT	GSR	
			5M/T	6M/T		
Exterior equipment	Exclusive front bumper	Body colour				
	Exclusive rear bumper	Body colour	●	●	●	
	Mouldings (black)	Windscreen				
		Rear window				
		Pillar, roof				
		Belt line				
	Door mirror	Manual type (black)	●			
		Electric stowable remote control door mirror (body colour)		●	●	
		Door mirror with heating element.* <sup>8</sup>		△	△	
	Exclusive extension	Front air dam	●	●	●	
Side air dam		●	●	●		
Carbon rear spoiler (large size)						
Interior equipment	Seat finish		●	●	●	
	Fabric					
	Alcantara + leather				●	
	Front Seat	Standard type		●		
		Recaro seat		△ <sup>9</sup>	●	●
		Adjustment mechanism	Slide	●	●	●
			Reclining			
	Headrest		●			
	Rear Seat	Low back bench seat (fixed)				
		High back bench seat (fixed)			●	●
		Centre arm rest (with cup holder)				
	Seat belts	Front	ELR fitted 3-point x 2			
			Pre-tensioner fitted (driver and passenger seats)	●	●	●
		Adjustable seat belt anchor				
	Rear	ELR/ALR fitted 3-point x 2 + 2-point belt x 1				
	SRS airbags	Driver's seat		△ <sup>6</sup>	●	●
		Front passenger seat				
	Parcel boxes	Accessories box (1 DIN)		●		
		Coin box		●	●	●
	Glove box					
Floor console	Standard type		●			
	With lid			●	●	
	Shift boot ring		●	●		
	With symbol				●	
	Ashtray	Front seat	●	●	●	
		Rear seat		●	●	
Cup holder (front seat)		●	●	●		

Equipment			4WD			
			RS	GT	GSR	
			5M/T	6M/T		
Interior Equipment	Centre panel (unique type)		●			
	2 DIN type			●	●	
	Headlining					
	Cloth					
	Front door trim	Moulded type (soft)				
		Door pocket (driver's seat, passenger seat)	●	●	●	
	Rear door	Moulded type (soft)				
	Boot interior trim					
	Boot interior floor carpet	Needle punch		●	●	
	Retractable assistance straps	× 1 (front passenger seat)	●			
		× 3 (front passenger seat, rear seats)		●	●	
	Sun visors	Driver's seat		●	●	●
		Front passenger seat			●	●
		Ticket holder	Driver's seat	●	●	●
			Passenger seat		●	●
	Vanity mirror (with lid)					
	Internal mirror	Day / night switchable				
	Foot rests		●	●	●	
	Accessories	Battery		44B20L		
		External lights	Headlight assembly ASSY (Clear type *10)	Halogen (low and high beam)	●	●
Discharge (low beam)						
Halogen (high beam)					△	●
Fog lamps (halogen)						
Position lights		●	●	●		
Headlight levelling			△	●		
Rear combination lights (clear type *10)						
High mount stop light		Rear shelf mounting (bulb type)				
Interior lights		Front cabin lights (with map light)				
		Rear cabin lights		●	●	●
		Boot interior light				
Combination meter		Special type				
Meter gauge		Electric type analogue speedometer				
		Twin type trip meter				
	Tachometer					
	Water temperature					
	Fuel					
Indicator lights	Fog lights			●	●	
	High beam					
	Turn signal and hazard lights		●	●	●	
	ACD					

## Note

- <sup>8</sup> Set option with cold climate specification
- <sup>9</sup> When selected, Recaro seats (standard on the GT) will be fitted
- <sup>10</sup> Indicator lamp is amber



# REFERENCE MATERIALS – MAIN EQUIPMENT, COLD CLIMATE SPECIFICATIONS 8-9

Equipment			4WD			
			RS	GT	GSR	
			5M/T		6M/T	
Accessories	Warning lights	ABS		●	●	
		SRS airbags				
		Fuel level				
		Parking brake				
		Charge				
		Brake fluid				
		Engine check	●	●	●	
		Seat belt not fastened				
		Door not properly closed				
	Buzzer	Lighting monitor warning				
		Ignition key reminder warning				
	Windscreen wipers	2 speed	Fixed time intermittent	●		
			Variable intermittent (in response to vehicle speed)		●	●
		Mist spray	●	●	●	

Equipment			4WD			
			RS	GT	GSR	
			5M/T		6M/T	
Accessories	Windscreen washer (moves with wipers, 4-speed)		●	●	●	
	Rear windscreen wiper / washer	Fixed time intermittent, synchronized with reverse (R) gear position			●	
		Audio	Roof aerial	●	●	●
		W/out audio				
		6 speakers (2 DIN compatible) *11		△	△	
	Digital clock					
	Immobiliser system		●	●	●	
	Air conditioning	Manual heater				
		Air conditioning kit		●		
		Fully automatic air conditioning		△ *6	●	●

Note

\*11 When selected, aerial and radio brackets are fitted as standard

## Cold Climate Specifications

Equipment		4WD	
		GT	GSR
		5M/T	
Battery	44B20L_55B24L		
Weather strip silicon coating		△	△
Rear seat heater duct			
Cold Climate Specification label			
Door mirrors with heating elements			