

SECTION 4

BODY

CONTENTS

Main Body.....4-1 Sun roof <GSR>.....4-3
 Door <GT, GSR>.....4-3

Main body

The following body colours have been specified.

Coating

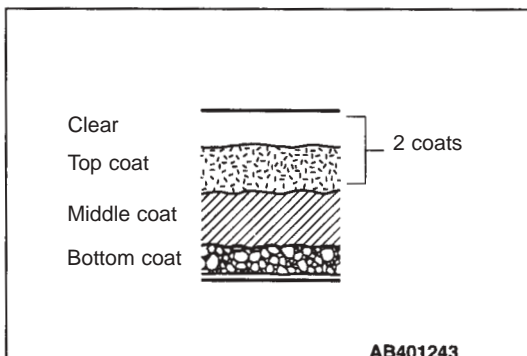
Water-based coatings have been used in order to reduce environmental pollution (from organic solvents). Maintenance and repair procedures remain the same.

Specifications

Colour name (former colour name)	Colour symbol	Colour code	Colour (paint) number	Coating ingredient	Maintenance symbol	Name of paint manufacturer
Cool Silver Metallic (old colour name)	CL	A31	CMA10031	Aluminium	M	Kansai paint
Blue Mica	BN	T70	CMT10070	Mica	2P	Kansai paint
Black Mica (Amethyst Black)	CI	X42	AC11342	Interference mica	2P	Tanabe Chemical
White solid (Scotia White)	3E	W37	CMW10037	-	2S	Kansai paint
Red solid (Parma Red)	MR	P23	CMP10023	-	2S	Kansai paint
Yellow solid (Dandelion yellow)	MY	Y12	CMY10012	-	2S	Kansai paint

Note

- The maintenance code is only for the top coat. 2S = 2 coat solid M = Metallic 2P : 2 coat pearl
- The name of the paint manufacturer is the name of the manufacturer of the paint used at the time of production.
- The rear spoiler fin has a clear coat.

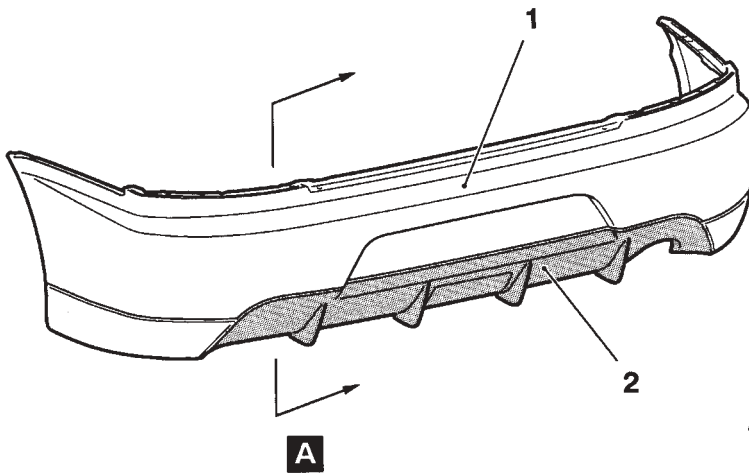


2-coat solid

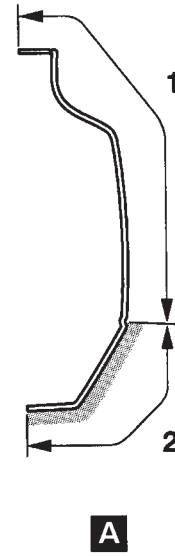
As well as using water-based coatings, a 2-coat solid with a clear coat has been added for the solid coatings.

Body colour paint areas

Rear bumper



AB401307



AB401308

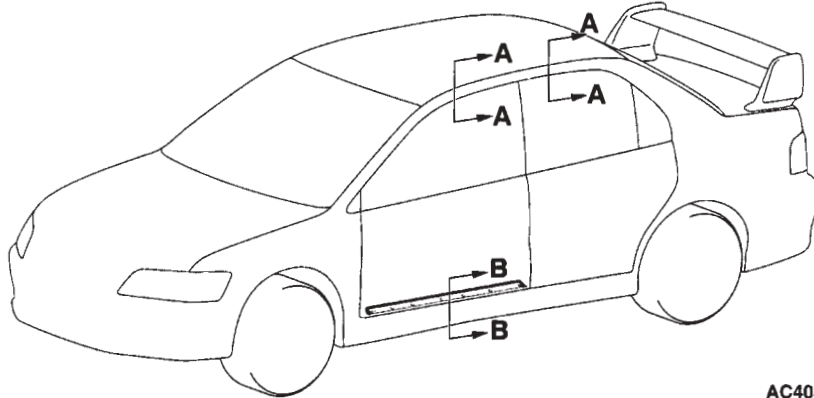
1	Body colour
2	Dark grey metallic (CMH18030)

DOORS

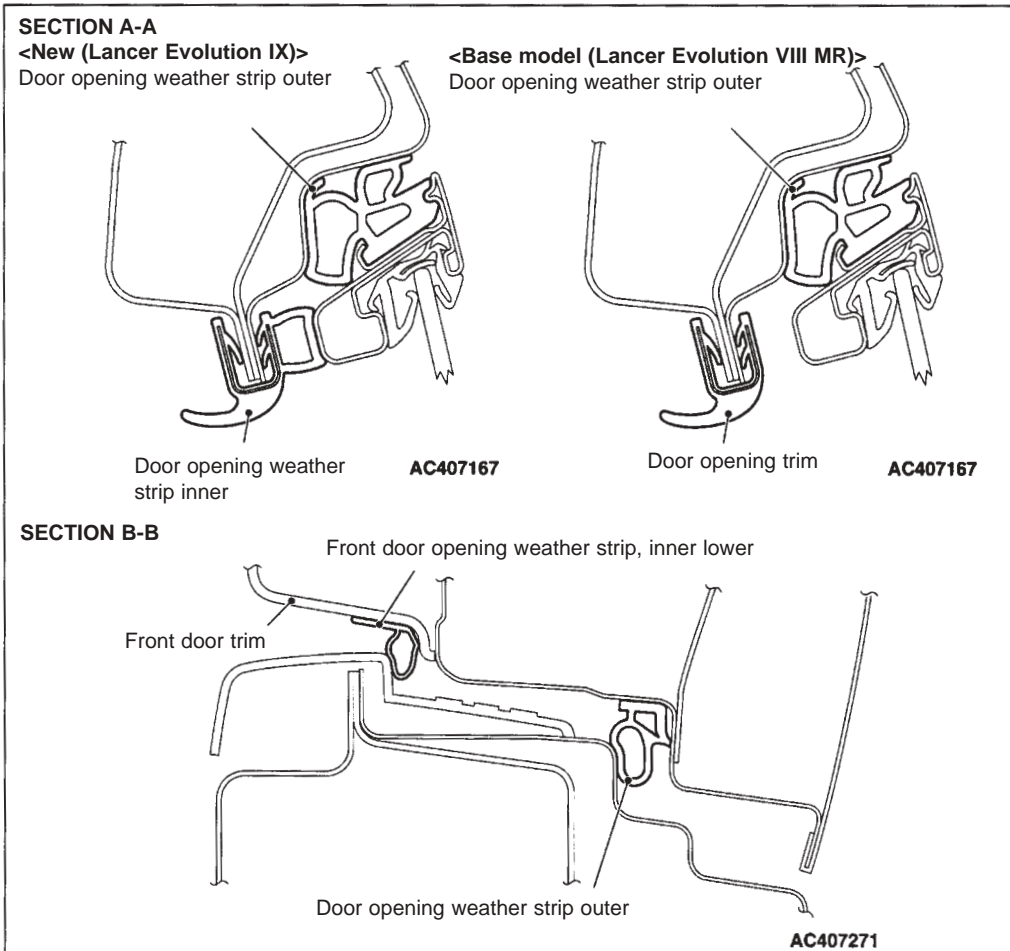
Weather strip (GT, GSR)

Noise shielding and water tightness have been improved as a result of the following.

- Front and rear door opening weather strip inner have been added, making a double-layer weather strip construction with the existing door opening weather strip outer.
- A front door opening weather strip inner (lower) has been added.



AC403531



AC407364AB

Sunroof <GSR>

The sunroof has been specified as an option. The sunroof is the same as the sunroof fitted to the previous Lancer. Please refer to the 00-5 Lancer Sedia New Model Manual (No. 1036K30).

Notes