

SECTION 16

ENGINE ELECTRICAL

CONTENTS

Charging system	1	Servicing standards	4
General	1	On-vehicle servicing	4
Alternator	1	Checking, cleaning and replacing spark plugs	4
Ignition system	4	Cam position sensor	4
General	4		

Charging system

General

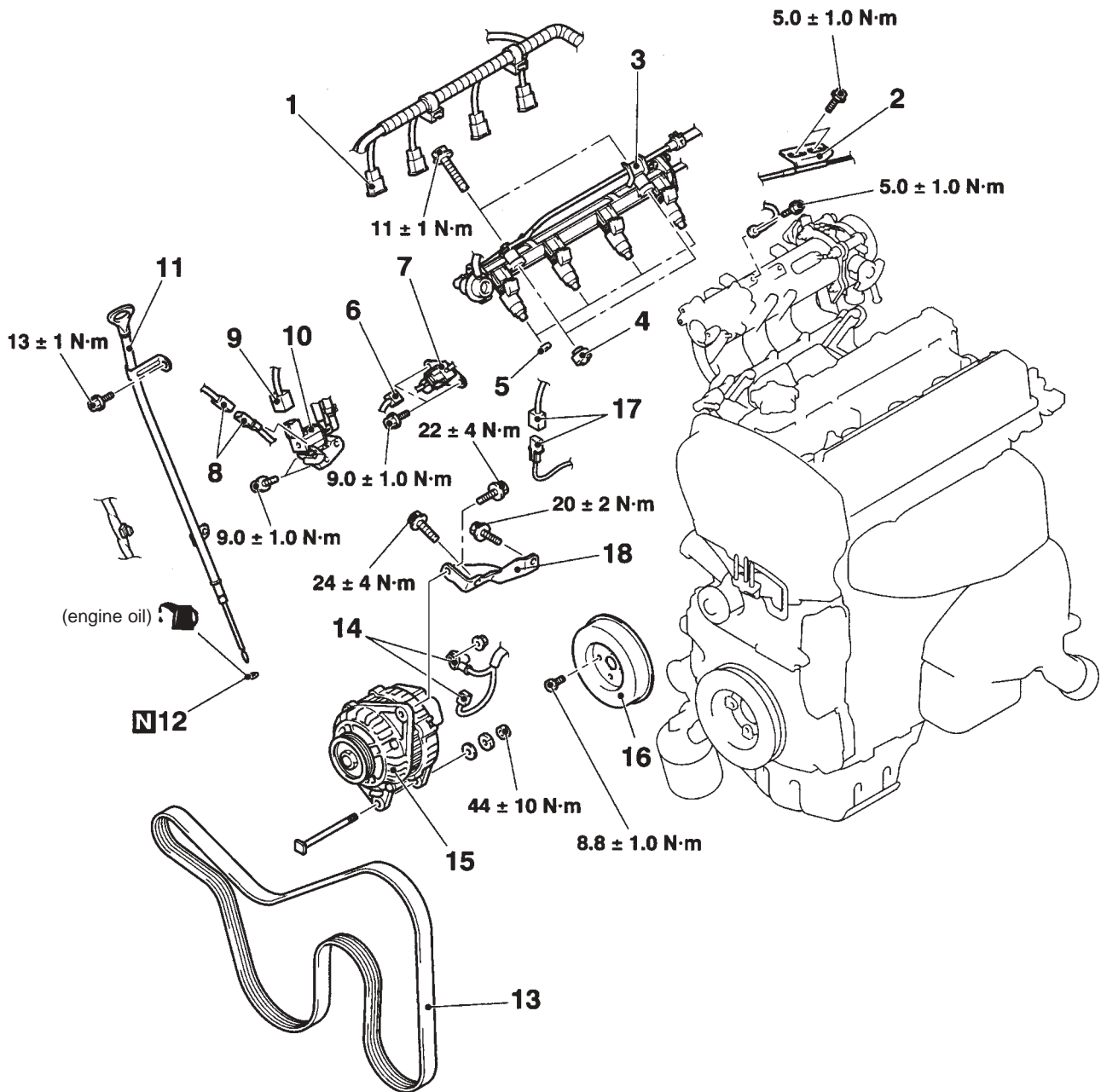
The following alternator servicing guidelines have been prepared for vehicles which use the 4G63-MIVEC-T/C engine. Other servicing guidelines remain unchanged.

Alternator

Removal and fitting

Jobs to be done before removal and after fitting

- Removal and refitting of the valence
- Checking the tension of the drive belt <only after fitting>
- Removal and refitting of the strut tower bar
- Removal and refitting of the front exhaust pipe ASSY
- Adjustment of the accelerator cable <only after fitting>



AC406359AB

Removal procedure

◀ A ▶

1. Injector connector
2. Accelerator cable connection
3. Delivery pipe, injector, and fuel pressure regulator ASSY
4. Insulator
5. Insulator
6. Fuel pressure solenoid valve connector
7. Fuel pressure solenoid valve ASSY
8. Knock sensor connector
9. Purge control solenoid valve connector

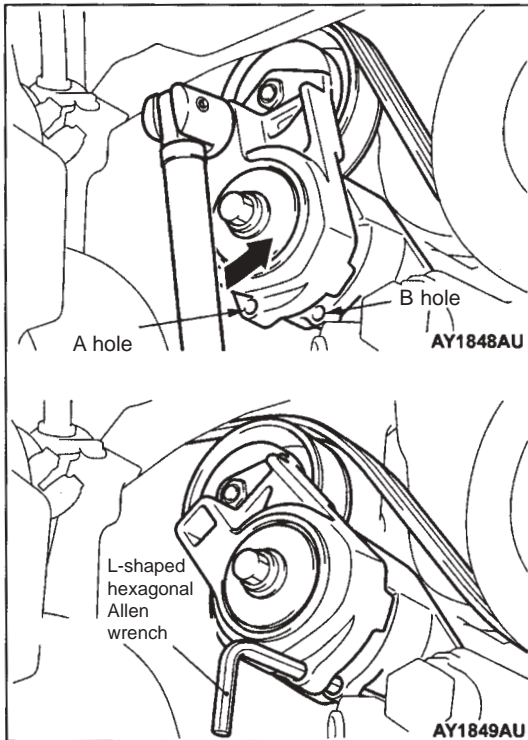
◀ B ▶

10. Purge control solenoid valve ASSY
11. Oil level gauge and guide ASSY
12. O-ring
13. Drive belt
14. Alternator connector and terminal
- Engine mount
15. Alternator
16. Water pump pulley
17. O₂ sensor connector
18. Alternator bracket

◀ C ▶

Removal guidelines**◀ A ▶ Removing the delivery pipe, the injector, and the fuel pressure regulator ASSY**

Loosen the bolts holding it in place, slightly dislodge all of the components and make space for the alternator to be removed.

**◀ B ▶ Removing the drive belt**

The following procedures are necessary because a serpentine drive system with auto-tensioner has been installed.

1. Insert a 12.7sq spinner handle into the auto-tensioner hole, and turn the auto-tensioner in an anti-clockwise direction until it reaches the stopper.
2. Align the A hole and the B hole, hold them in place by inserting an L-shaped hexagonal Allen Key, and remove the drive belt.

Caution

If planning to re-use the drive belt, ensure that it will be refitted the same way round, by marking the back of the belt with chalk arrows indicating the direction of movement.

◀ C ▶ Removing the alternator

Push the whole engine up using a garage jack, and remove the alternator from above.

Ignition system

General

The following servicing guidelines for spark plugs and the cam position sensor have been prepared for vehicles which use the 4G63-MIVEC-T/C engine. Other servicing guidelines remain unchanged.

Servicing standards

Item	Standard Value	Upper Limit
Spark plug cap mm	0.5~0.6	0.75

On-vehicle servicing

Checking cleaning and replacing spark plugs

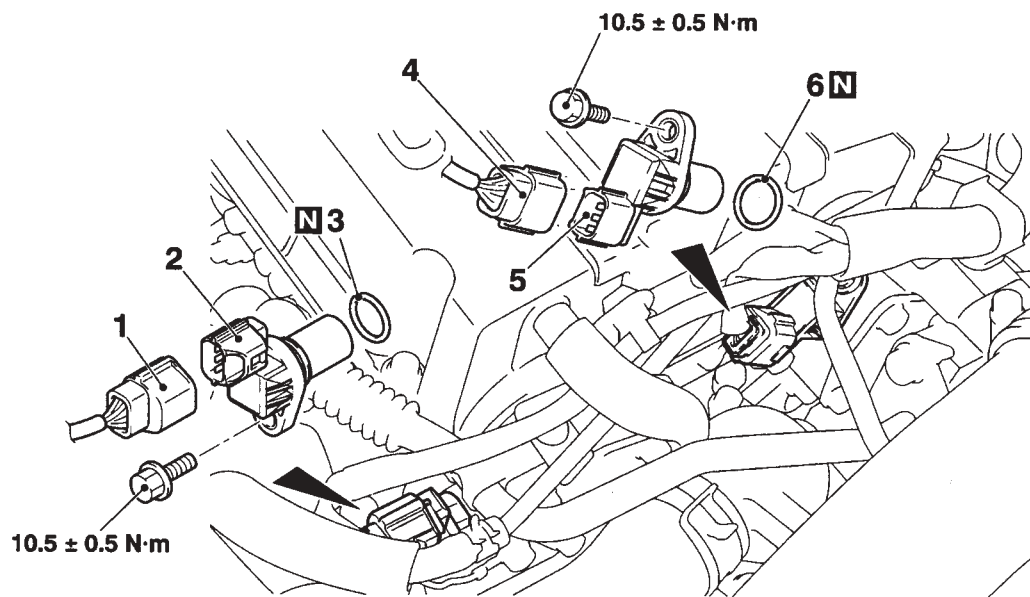
The standard value and the upper limit for plug caps, has been changed in conjunction with the changes made to the spark plugs. Other servicing guidelines remain unchanged.

Standard values and upper limits

Manufacturer	Model	Standard Value mm	Upper Limit mm
NGK	ILFR7H	0.5~0.6	0.75

Cam position sensor

Removal and fitting



AC407255AB

Removal procedure <Exhaust side>

1. Cam position sensor connector
2. Cam position sensor
3. O-ring

Removal procedure <Inlet side>

4. Cam position sensor connector
5. Cam position sensor
6. O-ring