

SECTION 00

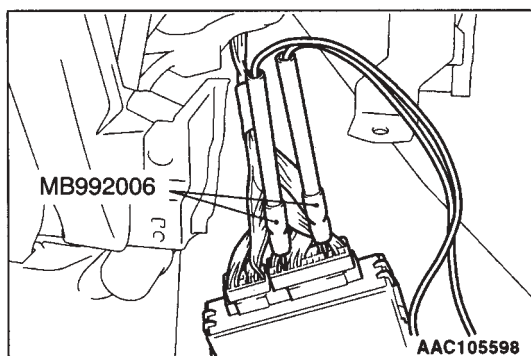
GENERAL

CONTENTS

Inspection guidelines and troubleshooting1	Relevant vehicle numbers1
Model line-up1	

Inspection guidelines and troubleshooting

With the introduction of new settings for the MB992006 (Extra Fine Probe) special tool, the guidelines for inspecting the connector have been changed. Other servicing guidelines remain unchanged.



Making an inspection with the connector attached (so the electrical circuit is complete) <non-waterproof connector>

The test bar should be inserted from the harness side. If the control unit or the connector is too small, and the test bar cannot be inserted, do not attempt to force it in. Instead, use the MB992006 (Extra Fine Probe) special tool.

Model line-up

Model	Version	05 model	Grade	Engine model	Transmission	Fuel system
GH-CT9A	SNDFZ	○	RS	4G63 (2000 DOHC 16 valve intercooler turbo)	W5M51 (4WD, 5M/T)	MPI
	SJDFZ	X	RS		W6MAA (4WD, 6M/T)	
	SNGFZ	●	GT	W5M51 (4WD, 5M/T)		
	SJGFZ	○	GSR	W6MAA (4WD, 6M/T)		

Note

● Indicates a new model, ○ indicates a special model, X indicates a discontinued model.

Relevant vehicle numbers

GH-CT9A: CT9A-0400001 ~

<Notes>