
GROUP 80B**SPLICE LOCATIONS****CONTENTS**

HOW TO READ SPLICE LOCATIONS	80B-2	DASH PANEL	80B-6
INDEX	80B-3	FLOOR AND ROOF	80B-8
ENGINE COMPARTMENT	80B-4	DOOR	80B-9
ENGINE AND TRANSAXLE	80B-5	LUGGAGE COMPARTMENT	80B-10

HOW TO READ SPLICE LOCATIONS

M1802000100294

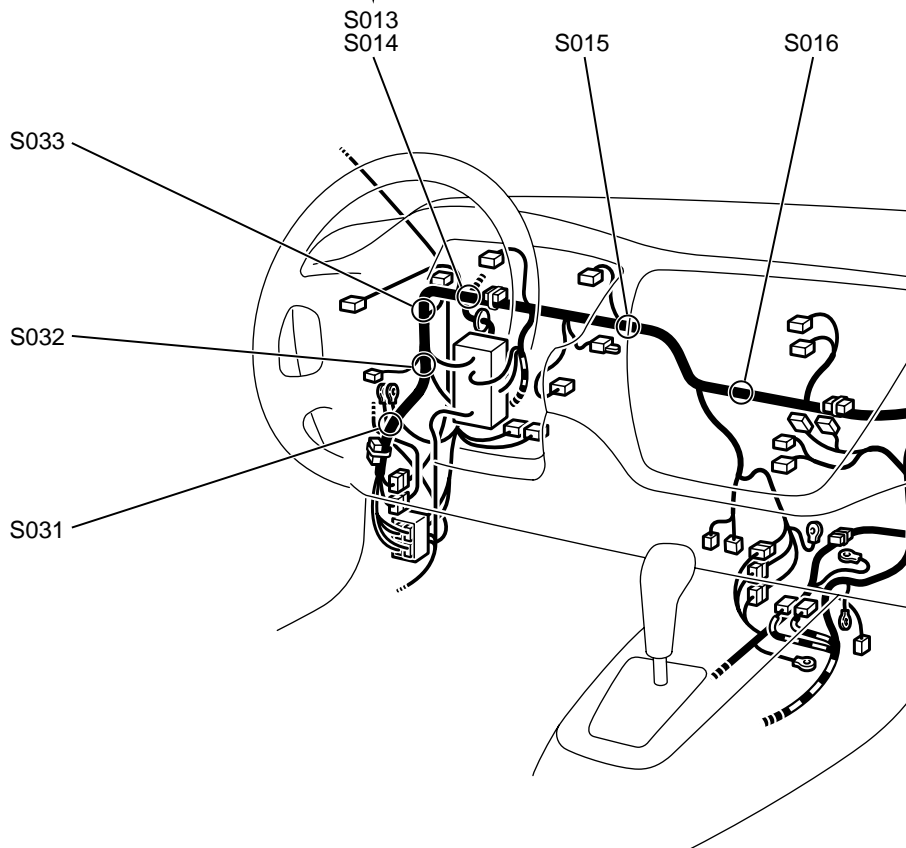
"Splice locations" describes splice points of each wiring harness on an actual vehicle.

Indicates a splice point number.
The splice point numbers are identical to those in "CIRCUIT DIAGRAMS," making them easy to use.
In addition, the splice point numbers are usually numbered clockwise.

Example: S 013

Sequential number

Prefix meaning splice point



AC100213AB

INDEX

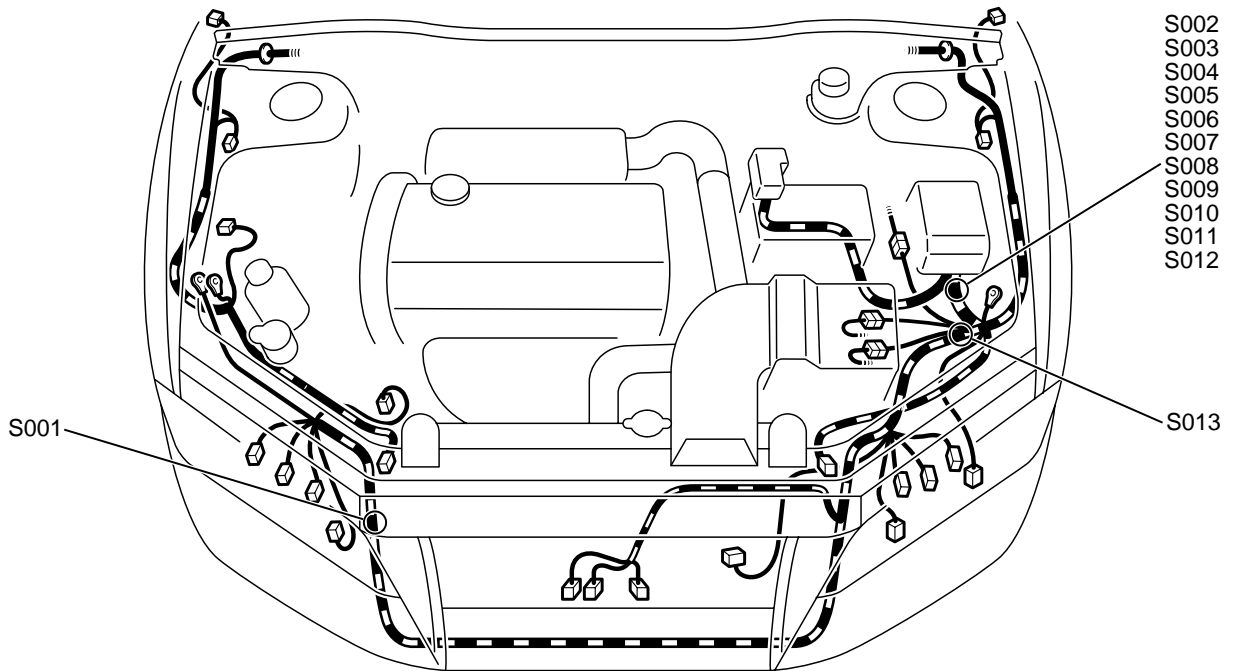
M1802000900610

This index shows the page numbers where the splice locations are.

SPLICE LOCATION NO.	PAGE	SPLICE LOCATION NO.	PAGE	SPLICE LOCATION NO.	PAGE	SPLICE LOCATION NO.	PAGE
S001	P.80B-4	S023	P.80B-6	S045	P.80B-7	S068	P.80B-8
S002	P.80B-4	S024	P.80B-6	S046	P.80B-7	S069	P.80B-8
S003	P.80B-4	S025	P.80B-6	S047	P.80B-7	S070	P.80B-8
S004	P.80B-4	S026	P.80B-6	S048	P.80B-7	S071	P.80B-8
S005	P.80B-4	S027	P.80B-6	S049	P.80B-7	S072	P.80B-8
S006	P.80B-4	S028	P.80B-6	S050	P.80B-7	S073	P.80B-8
S007	P.80B-4	S029	P.80B-6	S051	P.80B-7	S074	P.80B-8
S008	P.80B-4	S030	P.80B-6	S052	P.80B-7	S075	P.80B-8
S009	P.80B-4	S031	P.80B-6	S053	P.80B-7	S076	P.80B-8
S010	P.80B-4	S032	P.80B-6	S054	P.80B-7	S077	P.80B-8
S011	P.80B-4	S033	P.80B-6	S055	P.80B-7	S078	P.80B-9
S012	P.80B-4	S034	P.80B-6	S056	P.80B-7	S079	P.80B-9
S013	P.80B-4	S035	P.80B-6	S058	P.80B-7	S080	P.80B-9
S014	P.80B-5	S036	P.80B-6	S059	P.80B-7	S081	P.80B-9
S015	P.80B-5	S037	P.80B-6	S060	P.80B-7	S082	P.80B-9
S016	P.80B-5	S038	P.80B-6	S061	P.80B-6	S083	P.80B-10
S017	P.80B-5	S039	P.80B-7	S062	P.80B-6	S084	P.80B-10
S018	P.80B-5	S040	P.80B-6	S063	P.80B-6	S085	P.80B-10
S019	P.80B-5	S041	P.80B-7	S064	P.80B-6	S086	P.80B-10
S020	P.80B-5	S042	P.80B-7	S065	P.80B-6	S087	P.80B-10
S021	P.80B-5	S043	P.80B-7	S066	P.80B-6		
S022	P.80B-5	S044	P.80B-7	S067	P.80B-6		

ENGINE COMPARTMENT

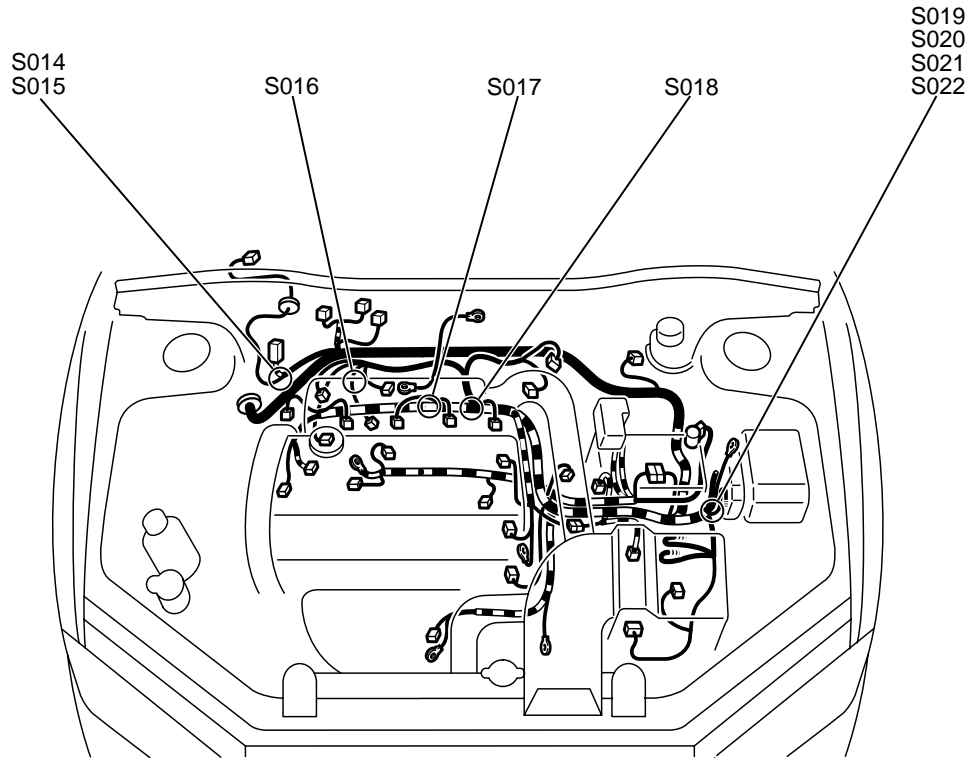
M1802000200495



AC209718AB

ENGINE AND TRANSAXLE

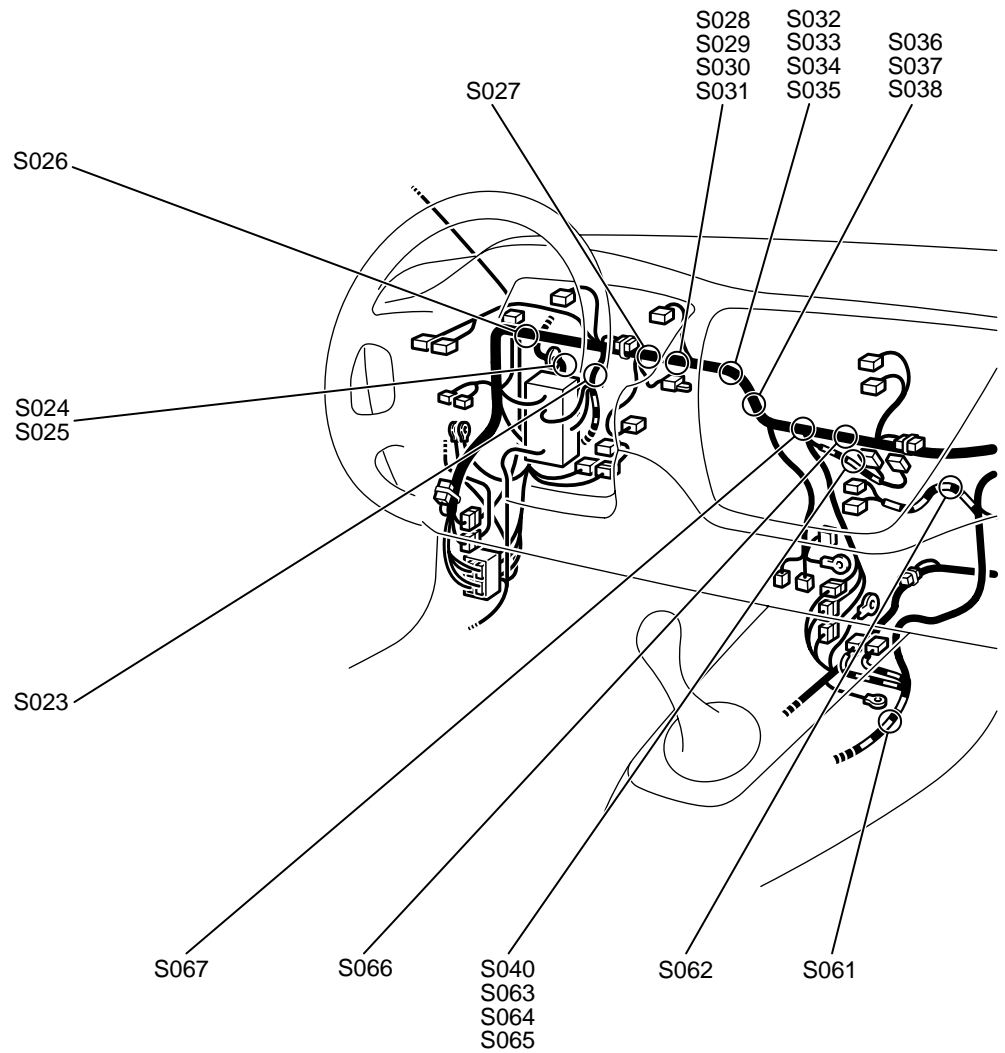
M1802001400339



AC209719AB

DASH PANEL

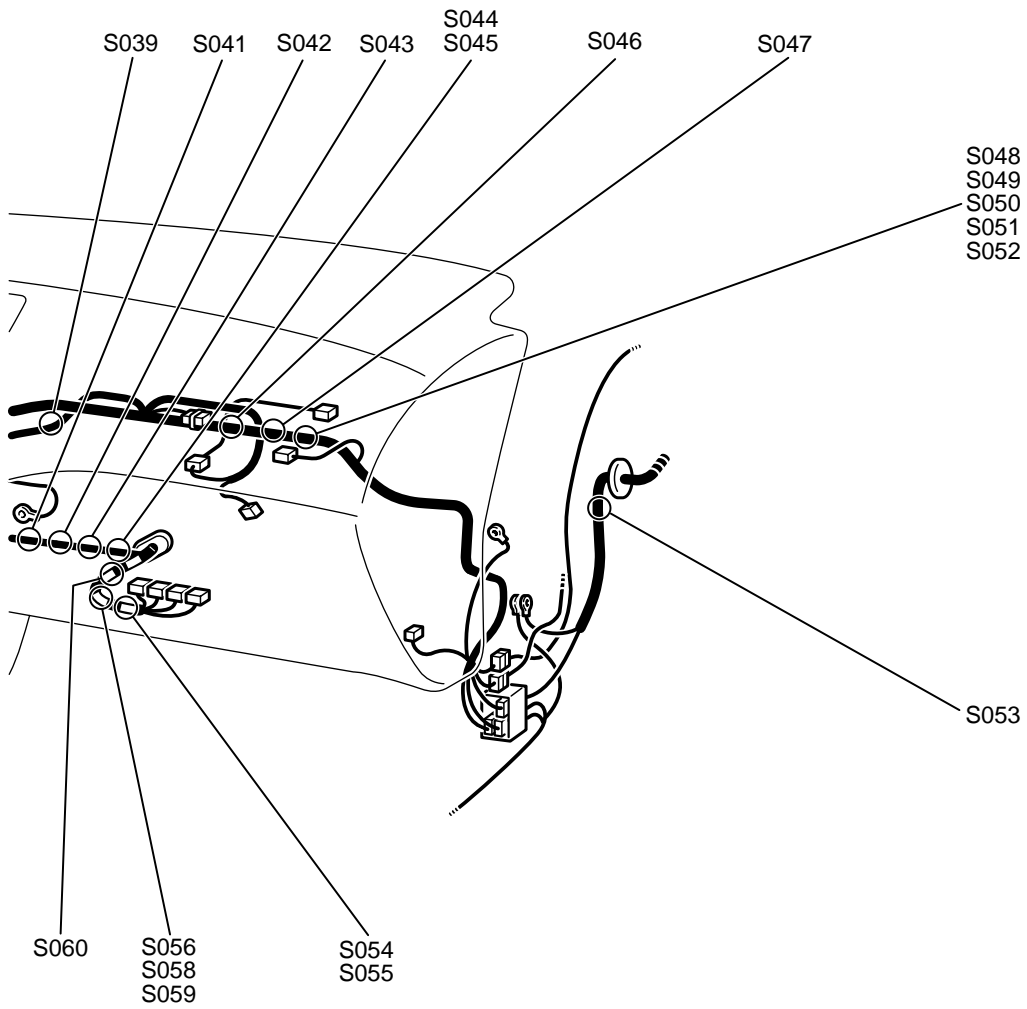
M1802000300511



AC208206AD

SPLICE LOCATIONS
DASH PANEL

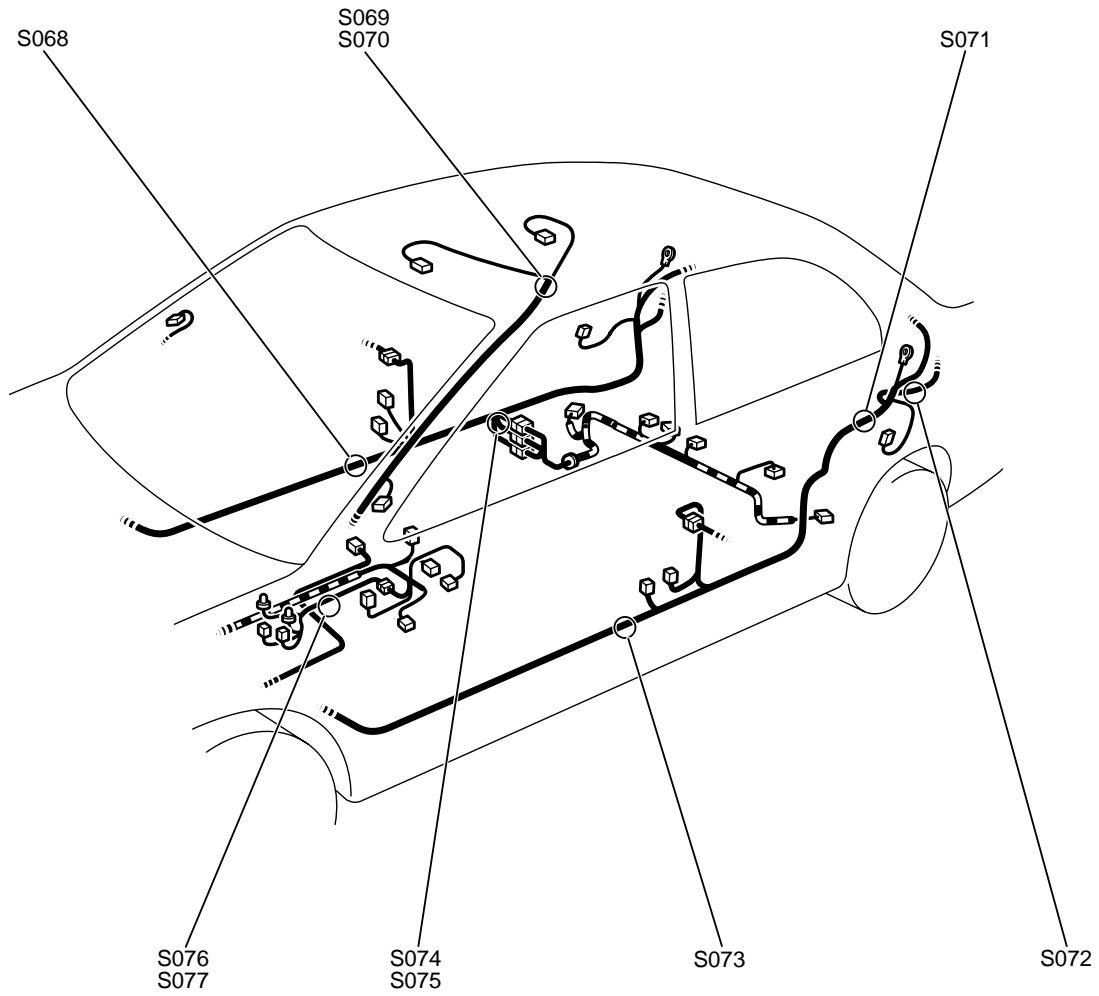
80B-7



AC208207AD

FLOOR AND ROOF

M1802001200465



AC209741AB

DOOR

M1802000800453

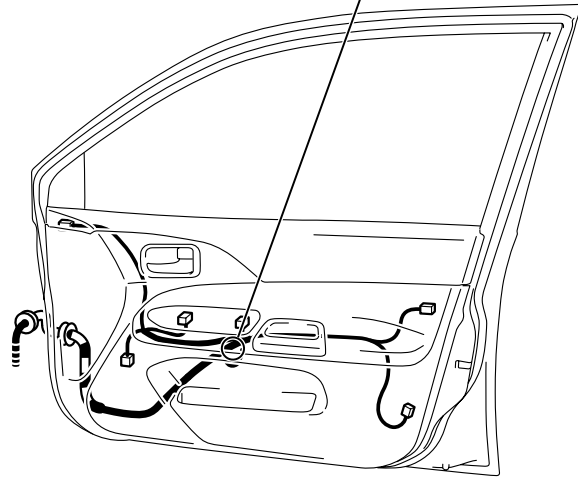
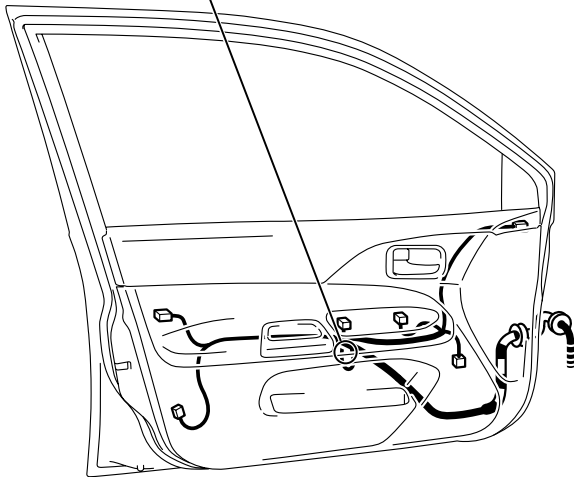
<DRIVER'S SIDE>

<PASSENGER'S SIDE>

S078
S079

S080
S081
S082

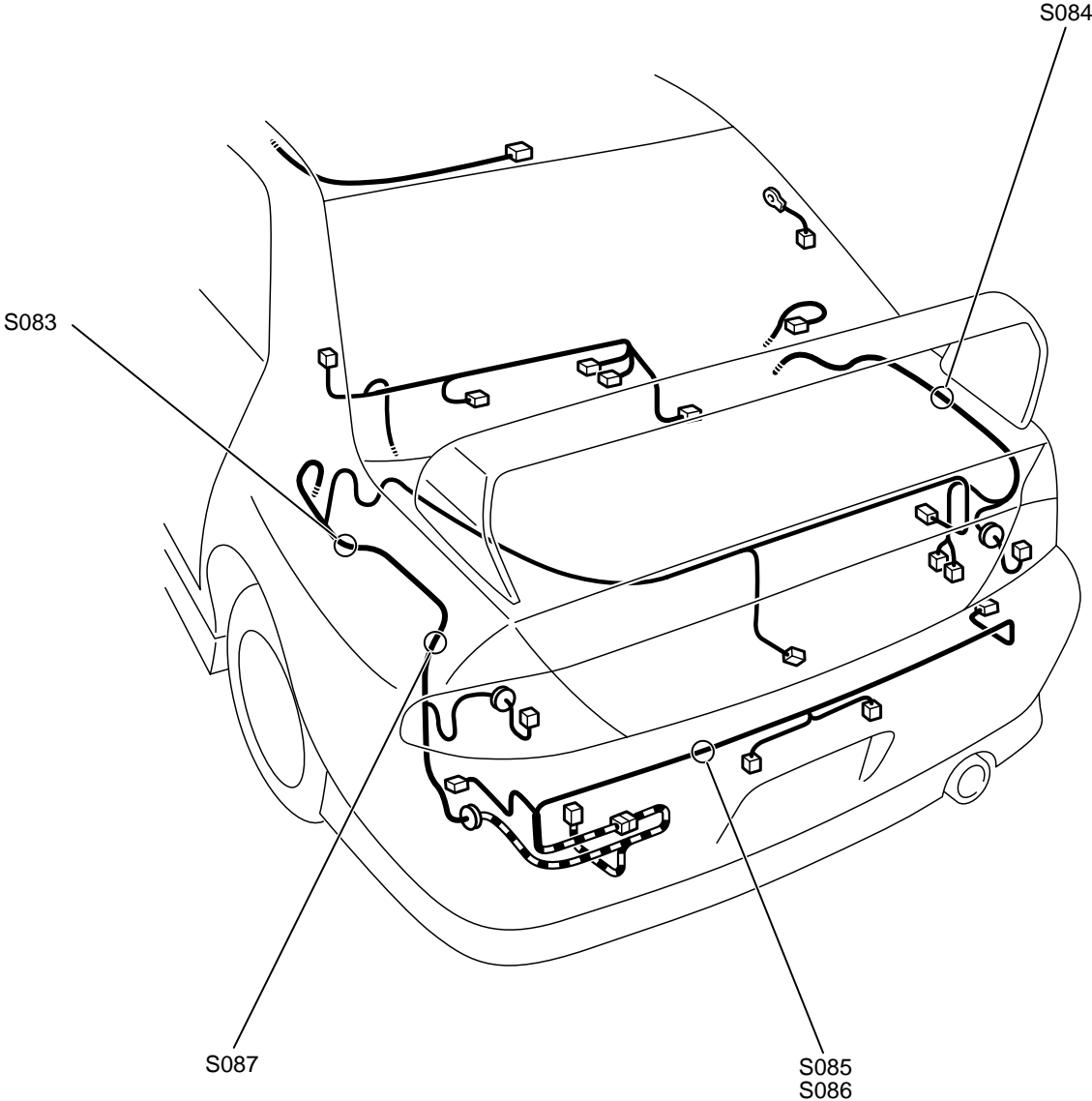
FRONT



AC209705AB

LUGGAGE COMPARTMENT

M1802001500154



AC208225AC