

## GROUP 80A

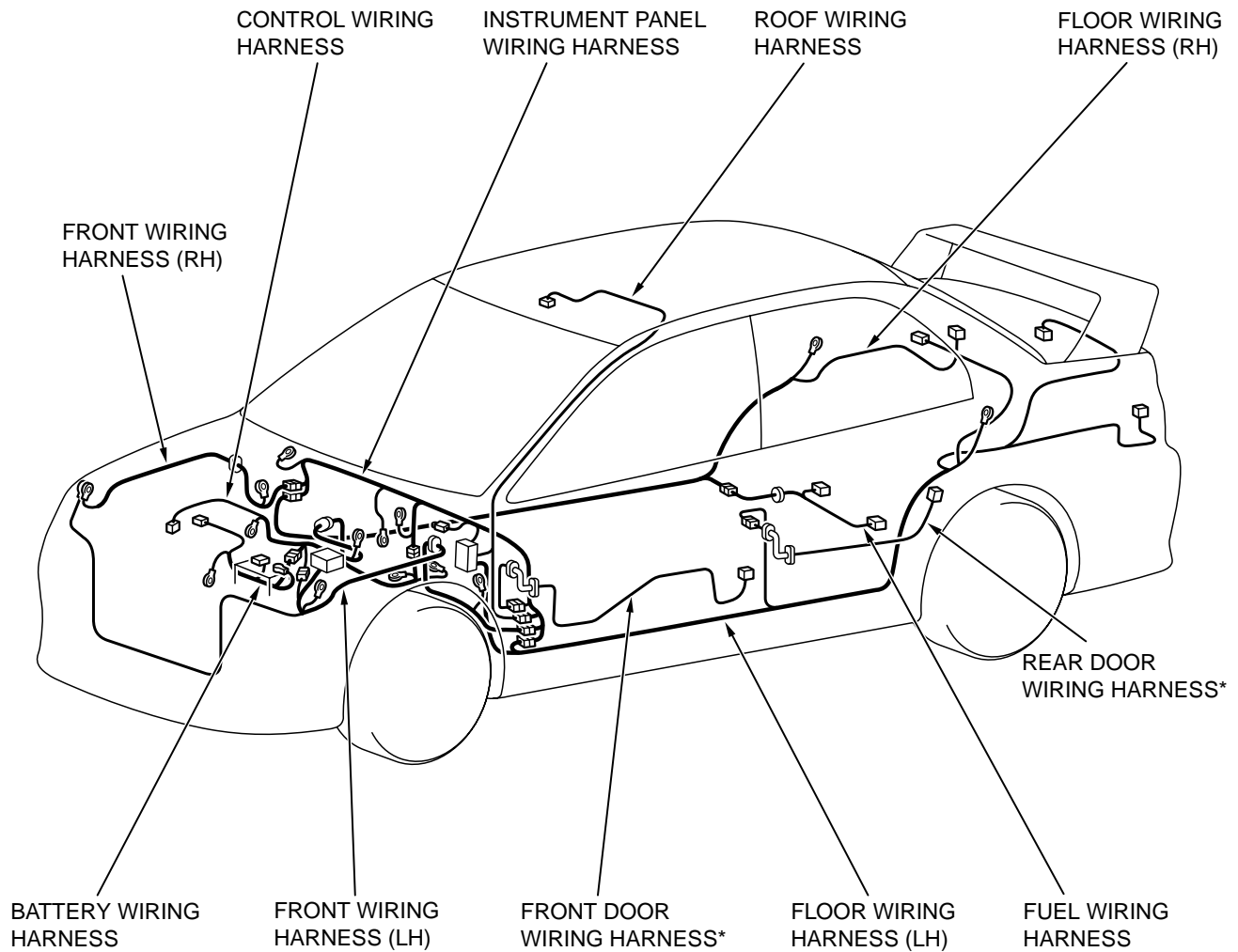
# CONFIGURATION DIAGRAMS

## CONTENTS

OVERALL CONFIGURATION DIAGRAM .....	80A-2	ENGINE AND TRANSAXLE.....	80A-6
HOW TO READ CONFIGURATION DIAGRAMS .....	80A-3	DASH PANEL.....	80A-10
ENGINE COMPARTMENT.....	80A-4	FLOOR AND ROOF.....	80A-16
		DOOR.....	80A-18
		LUGGAGE COMPARTMENT.....	80A-20

## OVERALL CONFIGURATION DIAGRAM

M1801000100495



AC208864 AB

**NOTE:**

1. This illustration shows only major wiring harnesses.
2. \*: also equipped at the right side.

# HOW TO READ CONFIGURATION DIAGRAMS

The wiring harness diagrams clearly show the connector locations and harness routings at each site on actual vehicles.

Denotes connector No.  
The same connector No. is used throughout the circuit diagrams to facilitate connector location searches.  
The first alphabetical symbol indicates the location site of the connector and a number that follows is the unique number.  
Numbers are usually assigned to parts in clockwise order on the diagram.

Example: A-19

- Number specific to connector (serial number)
- Connector location site symbol
- A: ENGINE COMPARTMENT
- B: ENGINE AND TRANSAXLE
- C: DASH PANEL
- D: FLOOR AND ROOF
- E: DOOR
- F: LUGGAGE COMPARTMENT

Denotes ground point.  
Same ground number is used throughout circuit diagrams to facilitate search of ground point.  
Refer to GROUP 70 SINGLE PART INSTALLATION POSITION - GROUND MOUNTING LOCATIONS for details of ground points.

Denotes harness name.

Denotes a section covered by a corrugated tube.

The mark ★ shows the standard mounting position of wiring harness.

Denotes the color of the corrugated tube (If not specified, it is black.)  
R: Red  
Y: Yellow

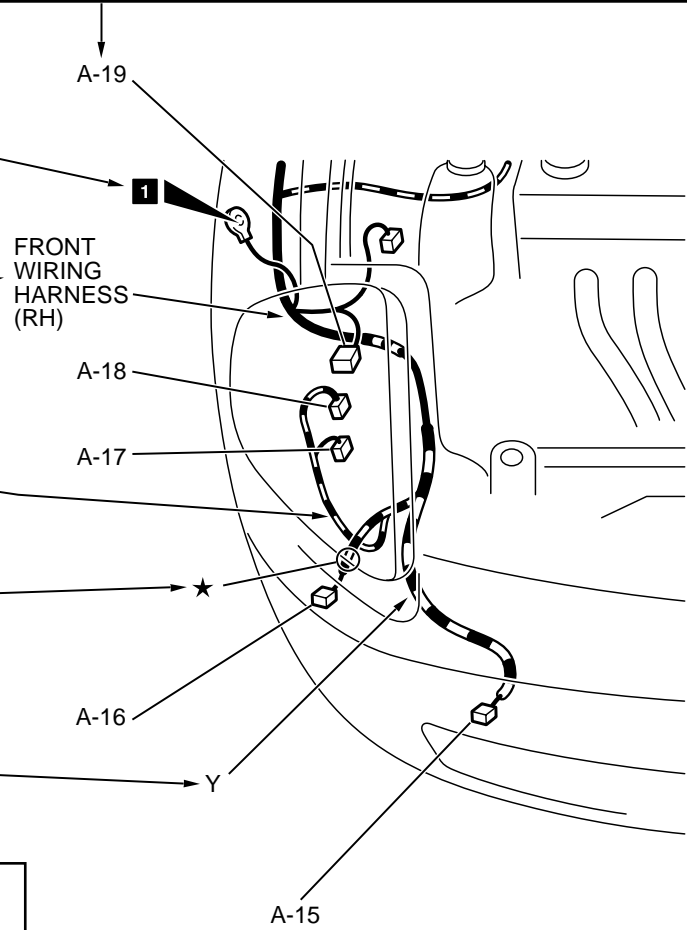
The number of connector pins and the connector color (except milk white)\* are shown for ease of retrieval.

Example: (2-B)

- Connector color (milk white if no color is indicated)
- Number of connector pins

\*: Typical connector colors

B: Black	BR: Brown
Y: Yellow	V: Violet
L: Blue	O: Orange
G: Green	GR: Gray
R: Red	NONE: Milk white

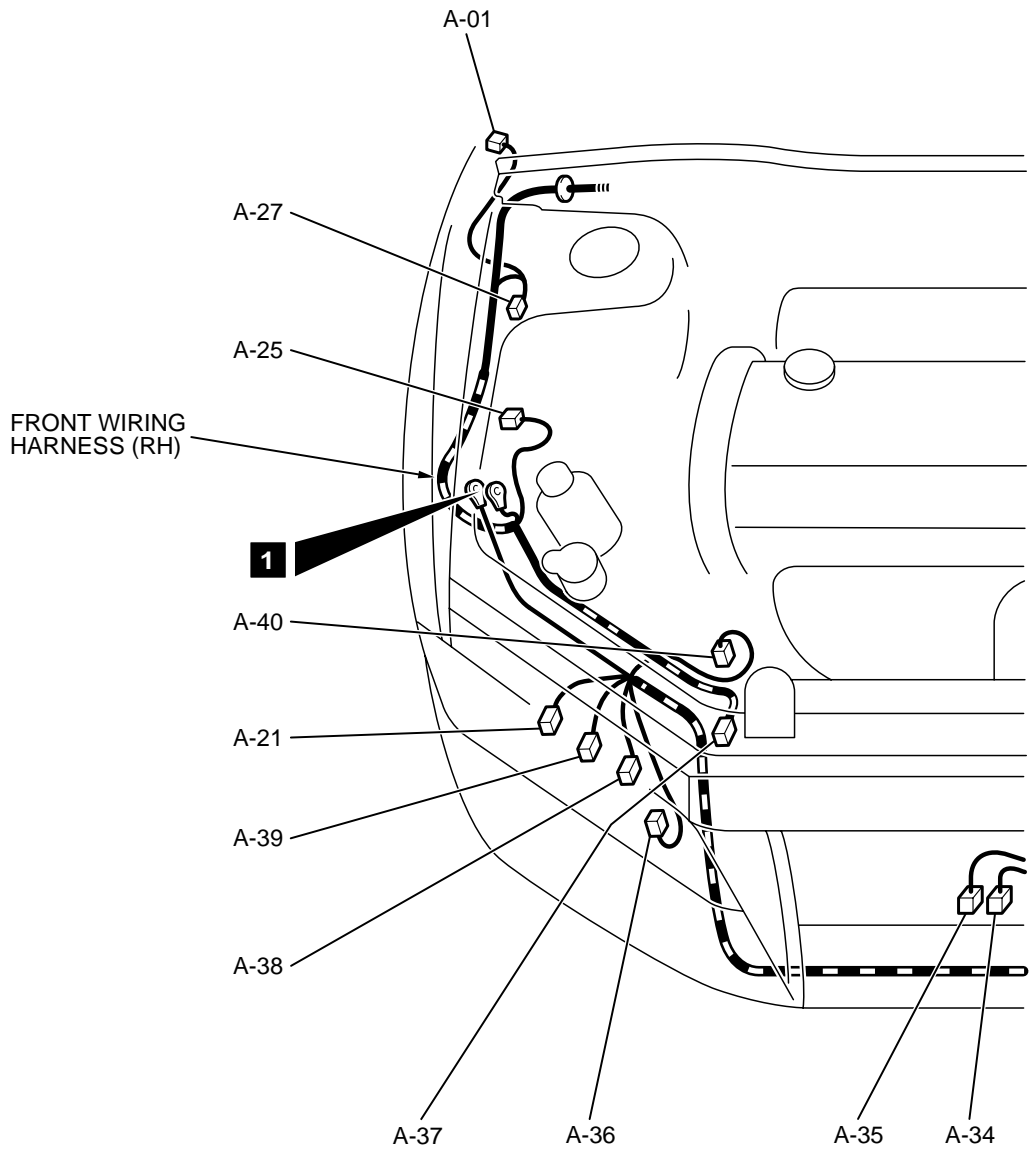
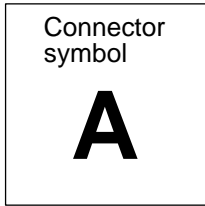


- A-15 (2) FOG LIGHT (RH)
- A-16 (2-GR) HORN (LOW)
- A-17 (2-B) HEADLIGHT (RH)
- A-18 (2-B) WINDSHIELD WASHER MOTOR
- A-19 (2-GR) DUAL PRESSURE SWITCH

Indicates the device to which the connector is connected.

ENGINE COMPARTMENT

M1801000300671

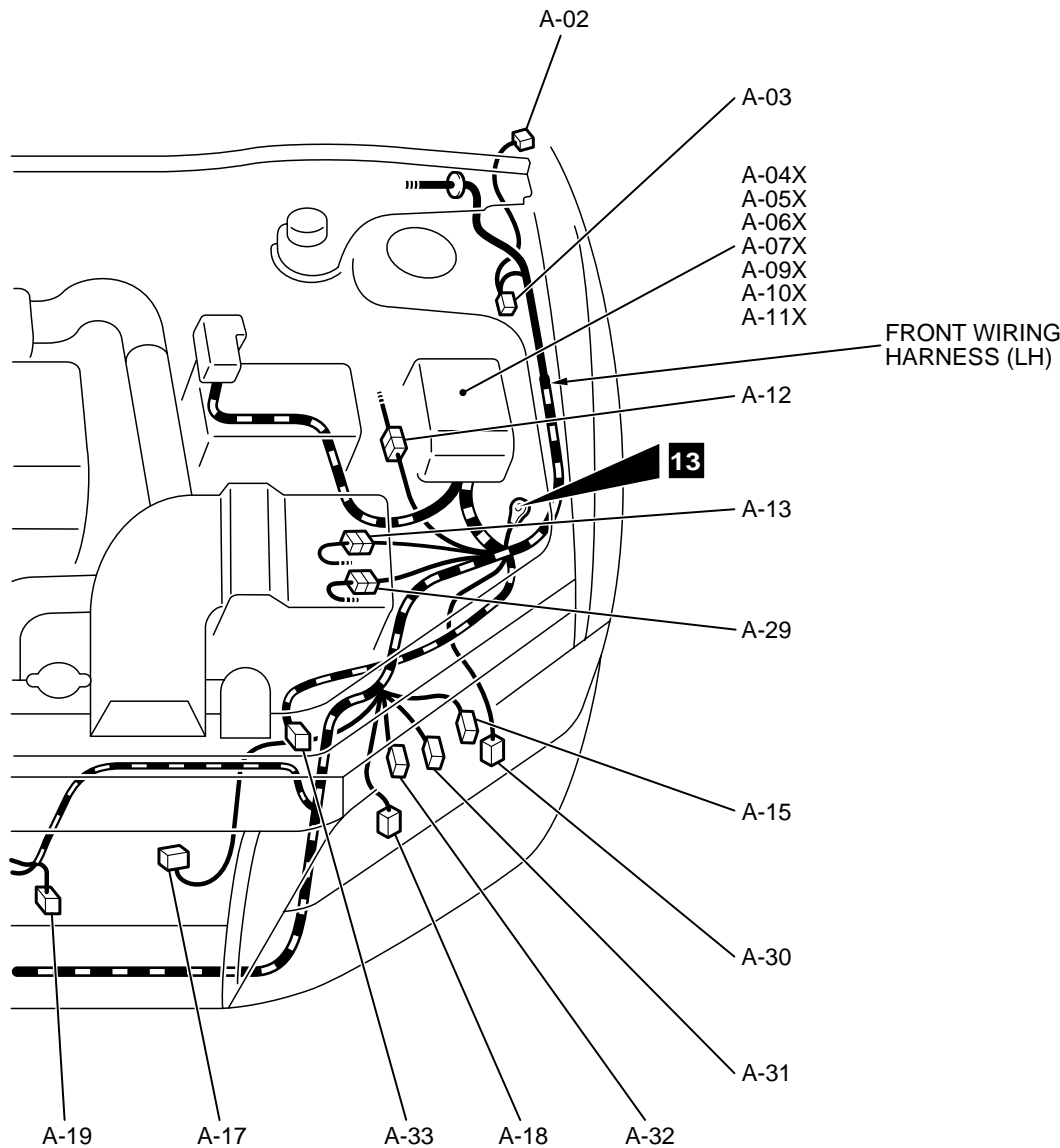


CONNECTOR COLOR CODE  
 B : BLACK  
 BR : BROWN  
 G : GREEN  
 GR : GRAY  
 L : BLUE  
 NONE : MILK WHITE  
 O : ORANGE  
 R : RED  
 V : VIOLET  
 Y : YELLOW

A-01	(2-GR)	SIDE TURN SIGNAL LIGHT (RH)
A-02	(2-GR)	SIDE TURN SIGNAL LIGHT (LH)
A-03	(2-B)	ABS SENSOR (FRONT: LH)
A-04X	(4)	FOG LIGHT RELAY
A-05X	(4)	HORN RELAY
A-06X	(4)	CONDENSER FAN RELAY (LO)
A-07X	(4)	CONDENSER FAN RELAY (HI)
A-09X	(4)	FAN CONTROL RELAY
A-10X	(11)	FRONT-ECU
A-11X	(11)	FRONT-ECU

A-12	(2-B)	FRONT WIRING HARNESS (LH) AND CONTROL WIRING HARNESS COMBINATION
A-13	(8-B)	FRONT WIRING HARNESS (LH) AND CONTROL WIRING HARNESS COMBINATION
A-15	(2-B)	HEADLIGHT (LH)
A-17	(3-GR)	FAN CONTROL MODULE
A-18	(1-B)	HORN (HIGH)
A-19	(1-B)	HORN (LOW)

AC208200AB

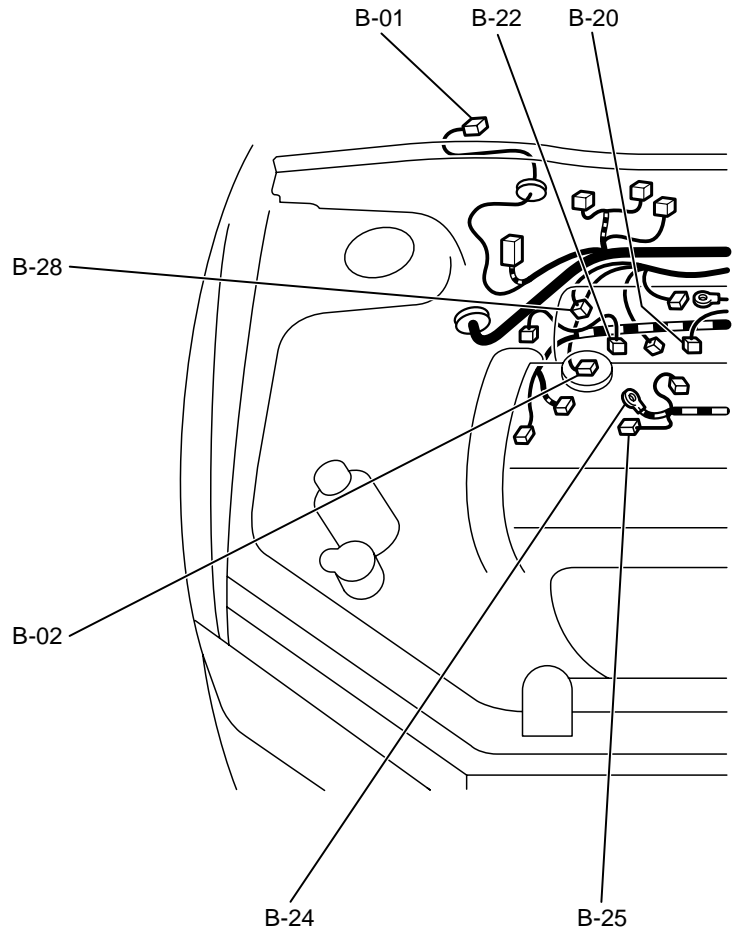
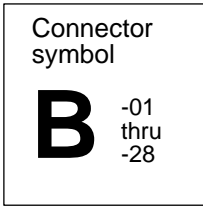


AC208201AB

A-21	(2-B)	HEADLIGHT (RH)	A-33	(2-Y)	FRONT IMPACT SENSOR (LH)
A-25	(2-BR)	DUAL PRESSURE SWITCH	A-34	(2-B)	CONDENSER FAN MOTOR
A-27	(2-B)	ABS SENSOR (FRONT: RH)	A-35	(2-GR)	CONDENSER FAN MOTOR
A-29	(8-B)	FRONT WIRING HARNESS (LH) AND CONTROL WIRING HARNESS COMBINATION	A-36	(1-B)	A/C COMPRESSOR
A-30	(2)	CHARGE AIR COOLER WATER SPRAY MOTOR	A-37	(2-Y)	FRONT IMPACT SENSOR (RH)
A-31	(8-B)	FRONT COMBINATION LIGHT ASSMBLY (LH)	A-38	(2-B)	FOG LIGHT (RH)
A-32	(2-B)	FOG LIGHT (LH)	A-39	(8-B)	FRONT COMBINATION LIGHT ASSEMBLY (RH)
			A-40	(1-B)	POWER STEERING PRESSURE SWITCH

ENGINE AND TRANSAXLE

M1801000400526

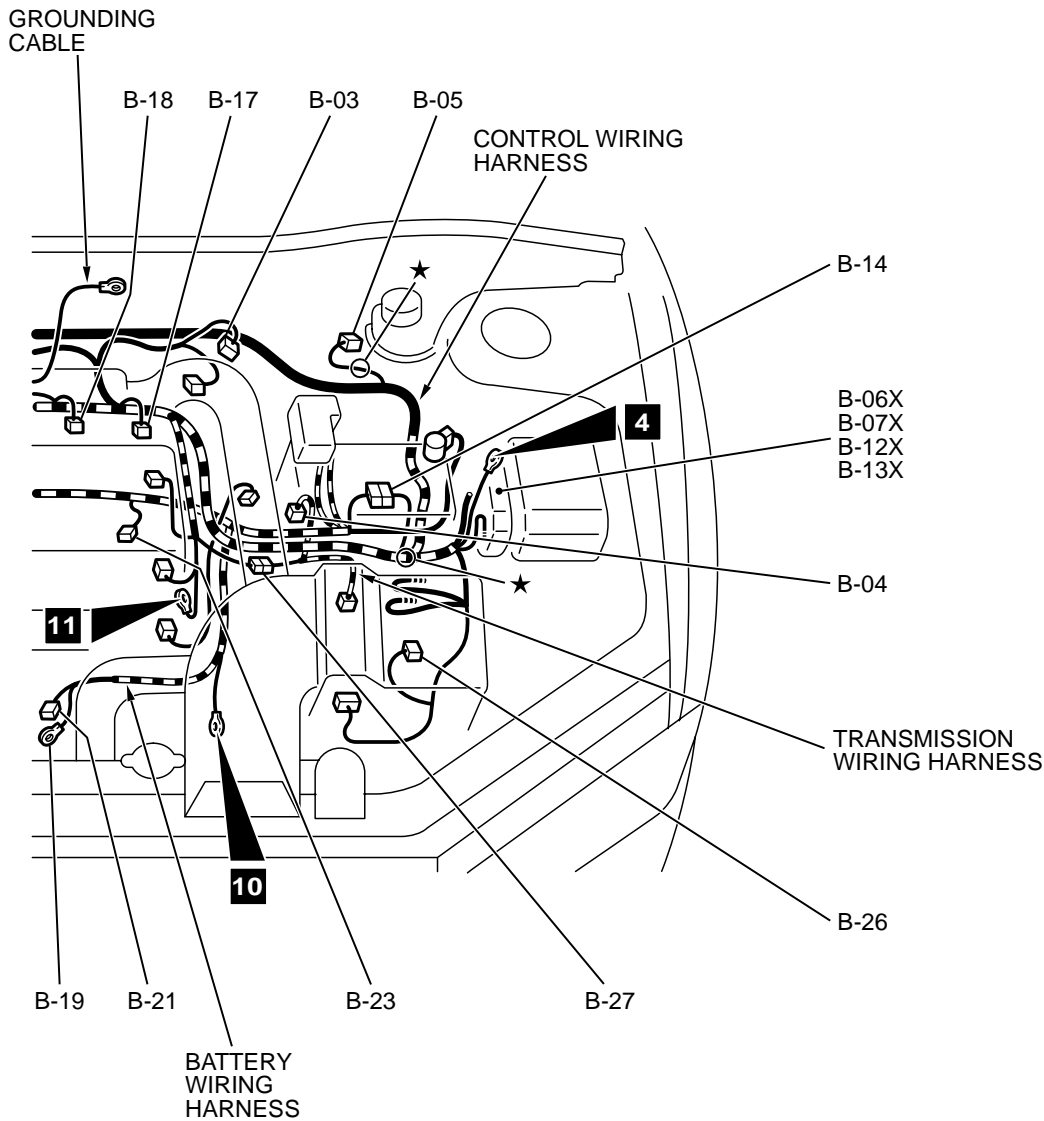


CONNECTOR COLOR CODE  
 B : BLACK  
 BR : BROWN  
 G : GREEN  
 GR : GRAY  
 L : BLUE  
 NONE : MILK WHITE  
 O : ORANGE  
 R : RED  
 V : VIOLET  
 Y : YELLOW

- B-01 (5-GR) WINDSHIELD WIPER MOTOR
- B-02 (2-B) EVAPORATIVE EMISSION PURGE SOLENOID
- B-03 (4-B) THROTTLE POSITION SENSOR
- B-04 (3-B) VEHICLE SPEED SENSOR
- B-05 (2-GR) BRAKE FLUID LEVEL INDICATOR SWITCH
- B-06X (1) ENGINE SPEED DETECTION CONNECTOR

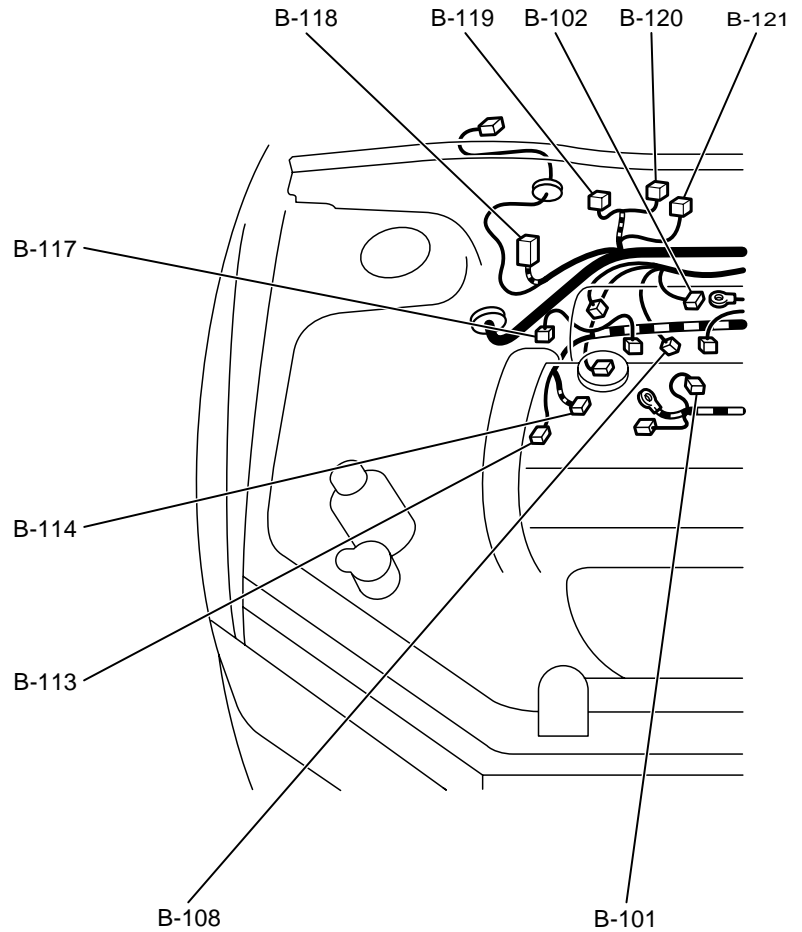
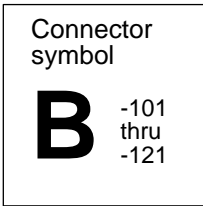
- B-07X (5) STARTER RELAY
- B-12X (4) MFI RELAY
- B-13X (4) A/C COMPRESSOR RELAY
- B-14 (10-B) CONTROL WIRING HARNESS AND BATTERY WIRING HARNESS COMBINATION
- B-17 (2-B) INJECTOR (4)

AC208203 AB



AC208204AB

B-18	(2-B)	INJECTOR (3)	B-25	(4-GR)	GENERATOR
B-19	(1)	STARTER	B-26	(2-GR)	TURBOCHARGER WASTEGATE SOLENOID
B-20	(2-B)	INJECTOR (2)	B-27	(6-B)	CONTROL WIRING HARNESS AND TRANSMISSION WIRING HARNESS COMBINATION
B-21	(1-B)	STARTER	B-28	(2-B)	FUEL PRESSURE SOLENOID
B-22	(2-B)	INJECTOR (1)			
B-23	(1-B)	OIL PRESSURE SWITCH			
B-24	(1)	GENERATOR			

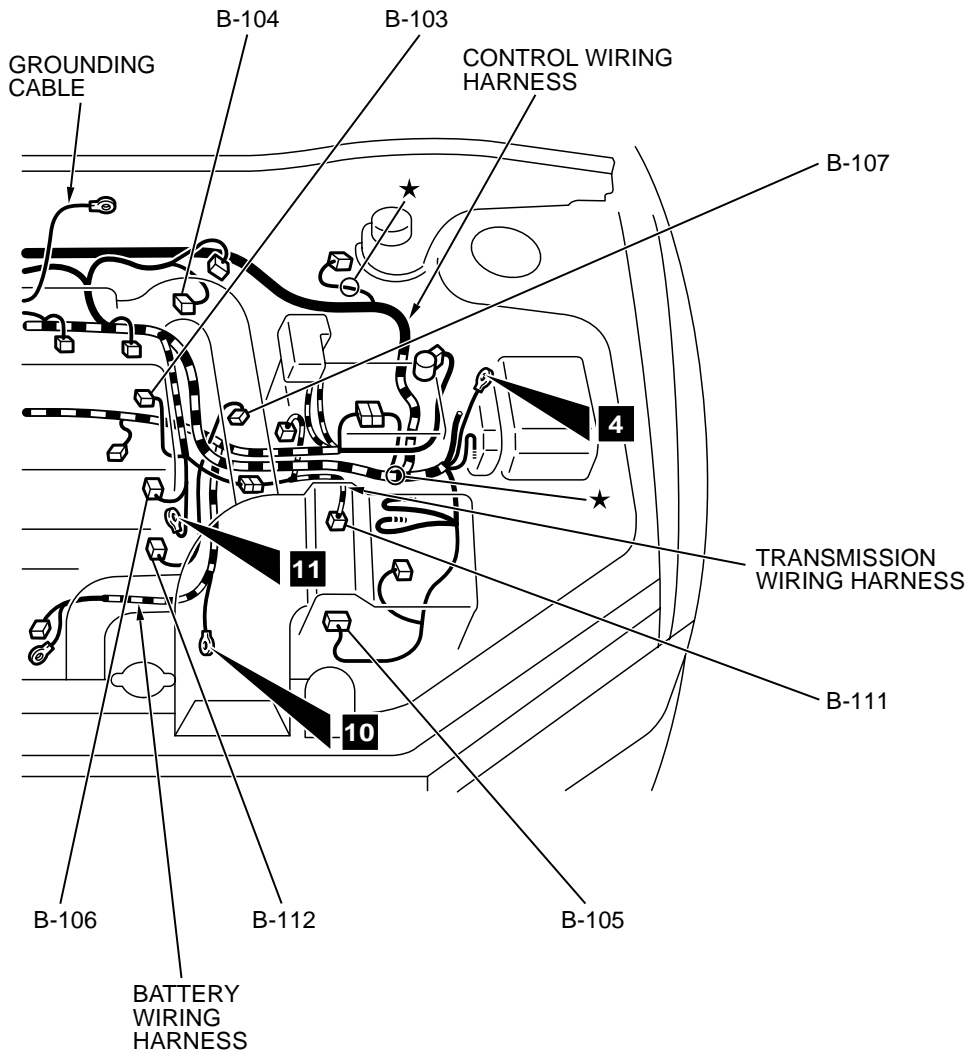


CONNECTOR COLOR CODE  
 B : BLACK  
 BR : BROWN  
 G : GREEN  
 GR : GRAY  
 L : BLUE  
 NONE : MILK WHITE  
 O : ORANGE  
 R : RED  
 V : VIOLET  
 Y : YELLOW

- B-101 (2-BR) EGR VACUUM REGULATOR SOLENOID VALVE
- B-102 (3-B) MANIFOLD DIFFERENTIAL PRESSURE SENSOR
- B-103 (3-GR) IGNITION COIL (1)
- B-104 (6-B) IDLE AIR CONTROL MOTOR

- AC208203AC
- B-105 (7-B) VOLUME AIRFLOW SENSOR
  - B-106 (3-B) CAMSHAFT POSITION SENSOR
  - B-107 (2-B) ENGINE COOLANT TEMPERATURE SENSOR
  - B-108 (2-GR) KNOCK SENSOR



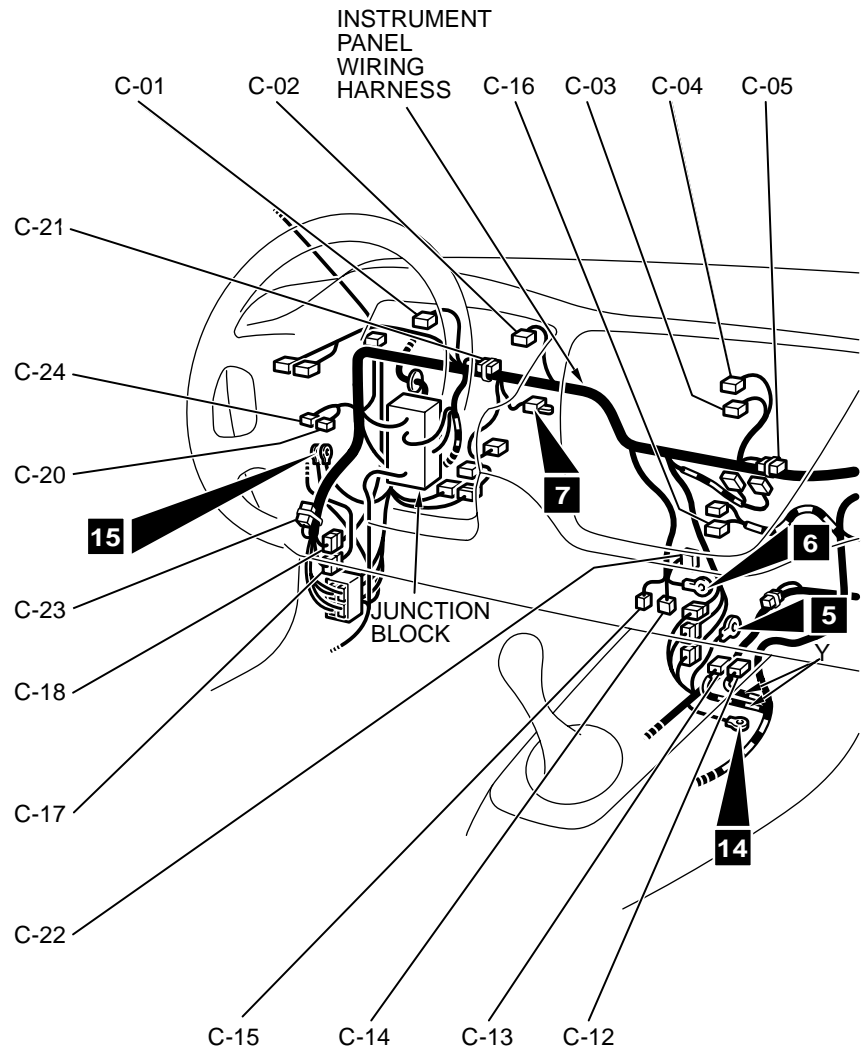
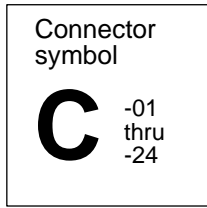


AC208204AC

B-111 (2-B)	BACKUP LIGHT SWITCH	B-117 (3-B)	CRANKSHAFT POSITION SENSOR
B-112 (1-B)	ENGINE COOLANT TEMPERATURE GAUGE UNIT	B-118 (34-B)	ABS-ECU
B-113 (4-B)	HEATED OXYGEN SENSOR (FRONT)	B-119 (6-B)	INJECTOR RESISTOR
B-114 (3-GR)	IGNITION COIL (2)	B-120 (4)	FUEL PUMP RELAY (3)
		B-121 (2-B)	FUEL PUMP RESISTOR

DASH PANEL

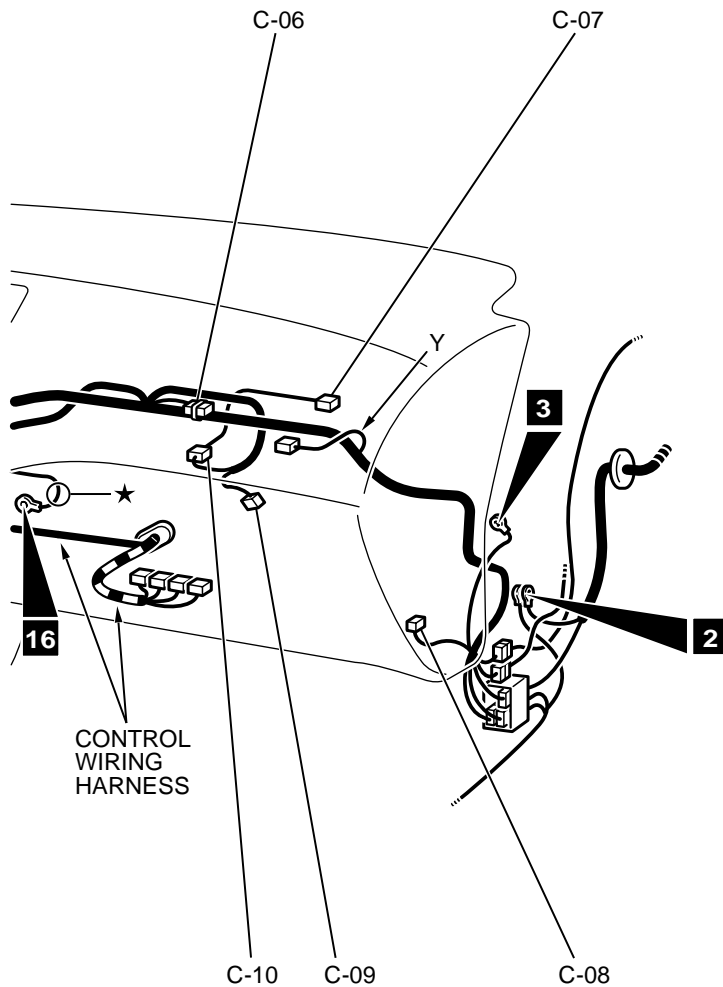
M1801000600564



CONNECTOR COLOR CODE  
 B : BLACK  
 BR : BROWN  
 G : GREEN  
 GR : GRAY  
 L : BLUE  
 NONE : MILK WHITE  
 O : ORANGE  
 R : RED  
 V : VIOLET  
 Y : YELLOW

C-01	(21)	COMBINATION METER	C-08	(2)	BLOWER MOTOR
C-02	(21-L)	COMBINATION METER	C-09	(4)	RESISTOR
C-03	(4)	HAZARD WARNING LIGHT SWITCH	C-10	(7)	INSTRUMENT PANEL WIRING HARNESS AND A/C WIRING HARNESS COMBINATION
C-04	(4)	CLOCK			
C-05	(22-GR)	JOINT CONNECTOR (1)			
C-06	(22-GR)	JOINT CONNECTOR (3)			
C-07	(7)	OUTSIDE/INSIDE AIR SELECTION DAMPER CONTROL MOTOR			

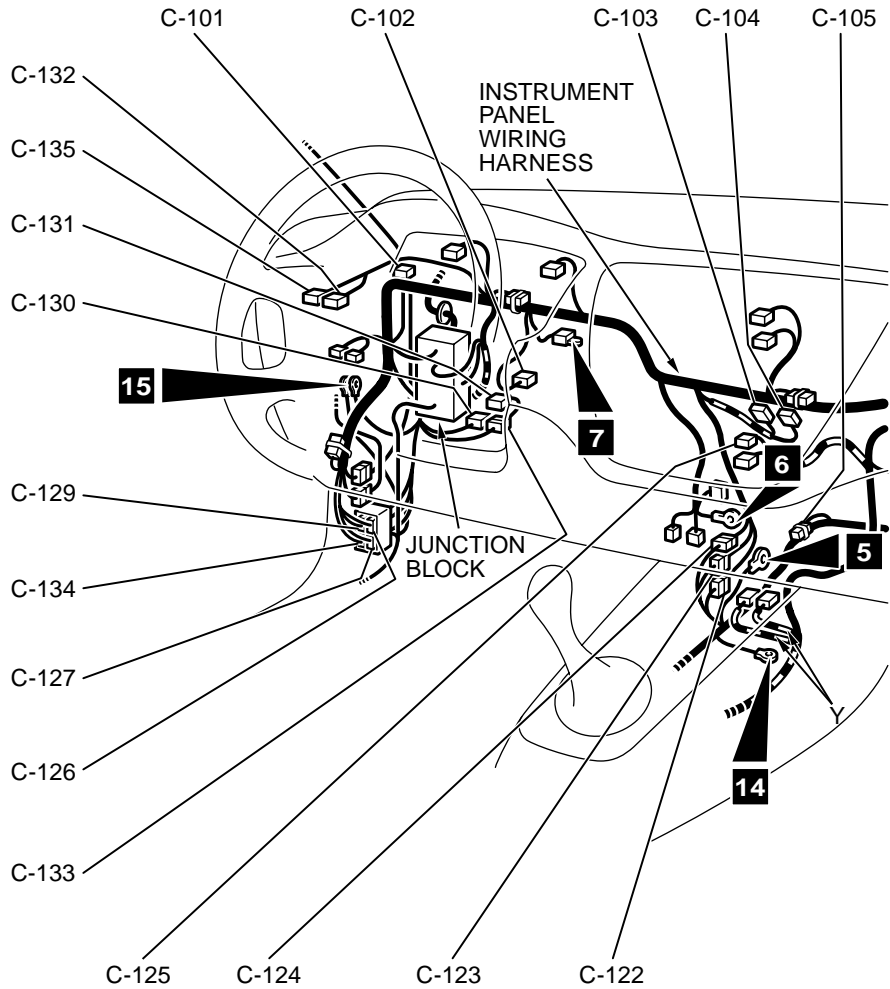
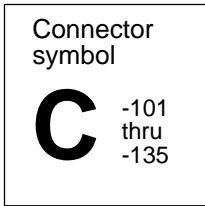
AC208206 AB



AC208207AB

C-12 (20-Y) SRS-ECU  
 C-13 (22-Y) SRS-ECU  
 C-14 (16-B) DATA LINK CONNECTOR  
 C-15 (12) DATA LINK CONNECTOR  
 C-16 (16-B) A/C-ECU  
 C-17 (20) INSTRUMENT PANEL WIRING HARNESS AND FRONT DOOR WIRING HARNESS (LH) COMBINATION

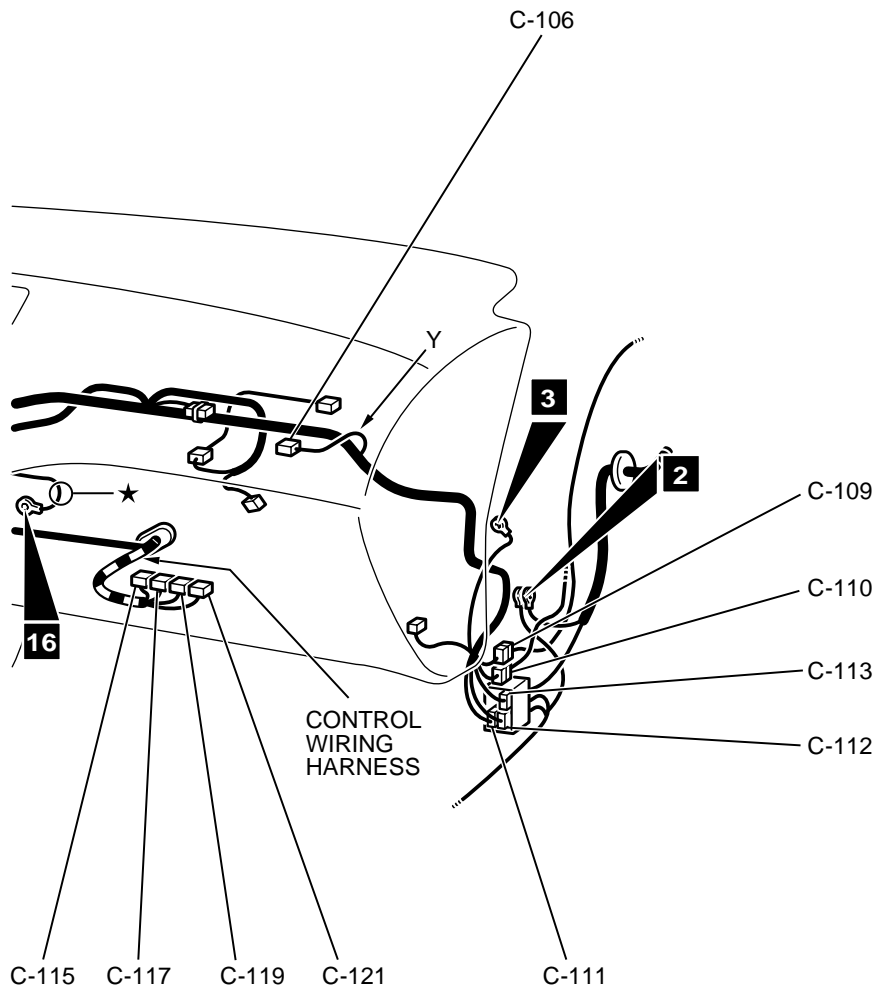
C-18 (6) INSTRUMENT PANEL WIRING HARNESS AND ROOF WIRING HARNESS COMBINATION  
 C-20 (6-L) RHEOSTAT  
 C-21 (13) JOINT CONNECTOR (5)  
 C-22 (12) IMMOBILIZER-ECU  
 C-23 (22-B) JOINT CONNECTOR (4)  
 C-24 (6-GR) HEADLIGHT LEVELING SWITCH



CONNECTOR COLOR CODE  
 B : BLACK  
 BR : BROWN  
 G : GREEN  
 GR : GRAY  
 L : BLUE  
 NONE : MILK WHITE  
 O : ORANGE  
 R : RED  
 V : VIOLET  
 Y : YELLOW

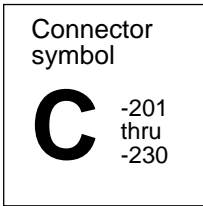
AC208206AC

C-101 (22-L)	JOINT CONNECTOR (2)	C-111 (13)	FRONT WIRING HARNESS (RH) AND INSTRUMENT PANEL WIRING HARNESS COMBINATION
C-102 (4)	STOPLIGHT SWITCH	C-112 (9-GR)	INSTRUMENT PANEL WIRING HARNESS AND FLOOR WIRING HARNESS (RH) COMBINATION
C-103 (14)	RADIO AND CD PLAYER	C-113 (25)	INSTRUMENT PANEL WIRING HARNESS AND FLOOR WIRING HARNESS (RH) COMBINATION
C-104 (1)	INSTRUMENT PANEL WIRING HARNESS AND ANTENNA FEEDER CABLE COMBINATION	C-115 (22-Y)	ENGINE CONTROL MODULE
C-105 (33)	JOINT CONNECTOR (6)	C-117 (12-Y)	ENGINE CONTROL MODULE
C-106 (2-R)	AIR BAG MODULE (SQUIB) <PASSENGER'S SIDE>	C-119 (16-Y)	ENGINE CONTROL MODULE
C-109 (2)	INSTRUMENT PANEL WIRING HARNESS AND TWEETER WIRING HARNESS COMBINATION	C-121 (26-Y)	ENGINE CONTROL MODULE
C-110 (16)	INSTRUMENT PANEL WIRING HARNESS AND FRONT DOOR WIRING HARNESS (RH) COMBINATION		

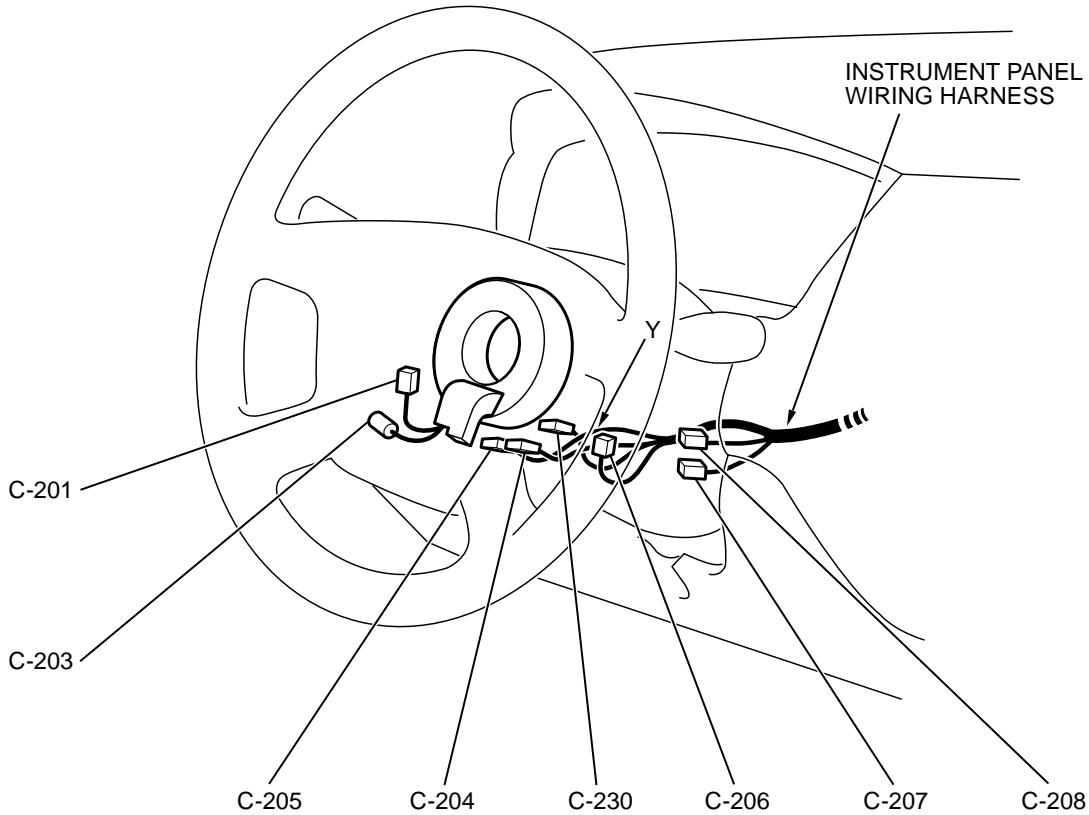


AC208207AC

C-122 (22-L)	INSTRUMENT PANEL WIRING HARNESS AND CONTROL WIRING HARNESS COMBINATION	C-129 (25)	FRONT WIRING HARNESS (LH) AND INSTRUMENT PANEL WIRING HARNESS COMBINATION
C-123 (10-GR)	INSTRUMENT PANEL WIRING HARNESS AND CONTROL WIRING HARNESS COMBINATION	C-130 (2)	CLUTCH PEDAL POSITION SWITCH
C-124 (25)	INSTRUMENT PANEL WIRING HARNESS AND CONTROL WIRING HARNESS COMBINATION	C-131 (2)	INTERLOCK SWITCH
C-125 (6)	BLOWER SWITCH	C-132 (11-B)	REMOTE CONTROLLED MIRROR SWITCH
C-126 (3)	FRONT WIRING HARNESS (LH) AND INSTRUMENT PANEL WIRING HARNESS COMBINATION	C-133 (2)	INSTRUMENT PANEL WIRING HARNESS AND CLUTCH SWITCH SUB WIRING HARNESS COMBINATION
C-127 (13)	INSTRUMENT PANEL WIRING HARNESS AND FLOOR WIRING HARNESS (LH) COMBINATION	C-134 (11-B)	FRONT WIRING HARNESS (LH) AND INSTRUMENT PANEL WIRING HARNESS COMBINATION
		C-135 (6)	FOG LIGHT SWITCH



STEERING COLUMN



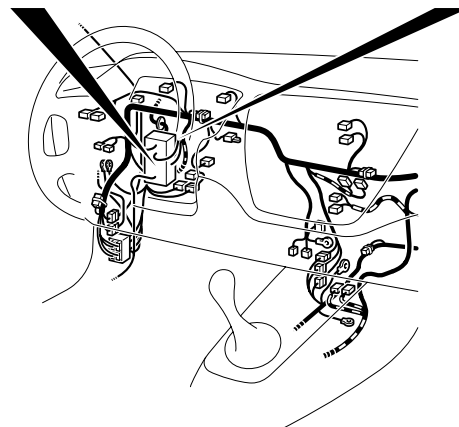
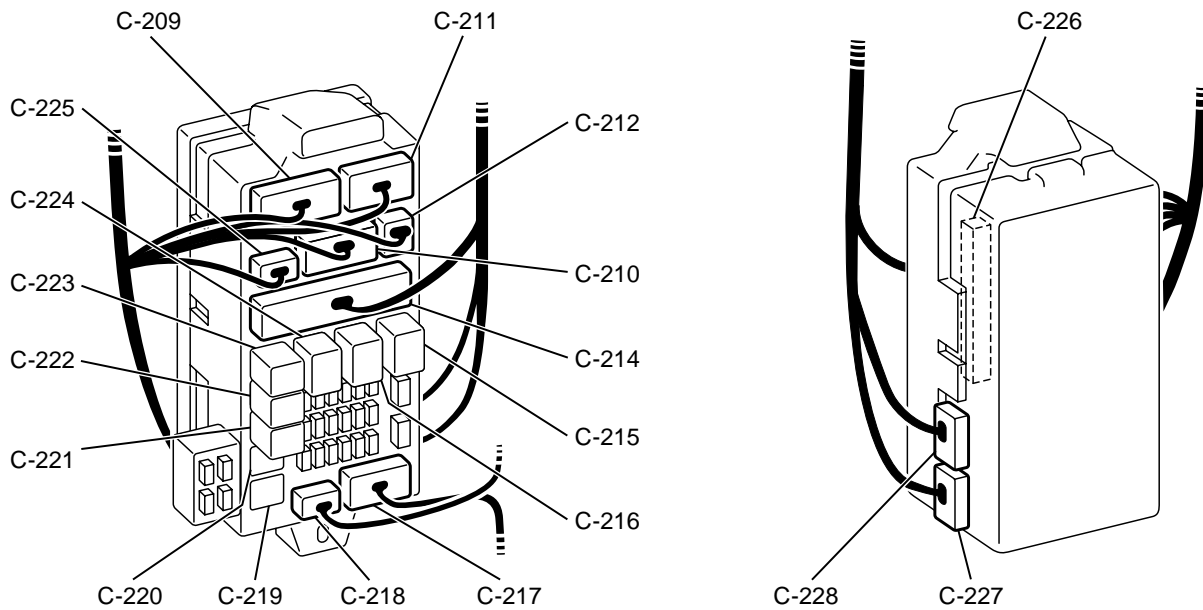
AC208208AB

C-201 (2)	AIR BAG MODULE (SQUIB) <DRIVER'S SIDE>	C-211 (6)	INSTRUMENT PANEL WIRING HARNESS AND JUNCTION BLOCK COMBINATION
C-203 (1)	HORN SWITCH	C-212 (1-B)	INSTRUMENT PANEL WIRING HARNESS AND JUNCTION BLOCK COMBINATION
C-204 (6)	CLOCK SPRING	C-214 (28)	INSTRUMENT PANEL WIRING HARNESS AND JUNCTION BLOCK COMBINATION
C-205 (4-Y)	CLOCK SPRING		
C-206 (10)	COLUMN SWITCH		
C-207 (7)	KEY REMINDER SWITCH		
C-208 (6)	IGNITION SWITCH		
C-209 (13)	INSTRUMENT PANEL WIRING HARNESS AND JUNCTION BLOCK COMBINATION		
C-210 (14)	INSTRUMENT PANEL WIRING HARNESS AND JUNCTION BLOCK COMBINATION		

JUNCTION BLOCK

(FRONT VIEW)

(REAR VIEW)



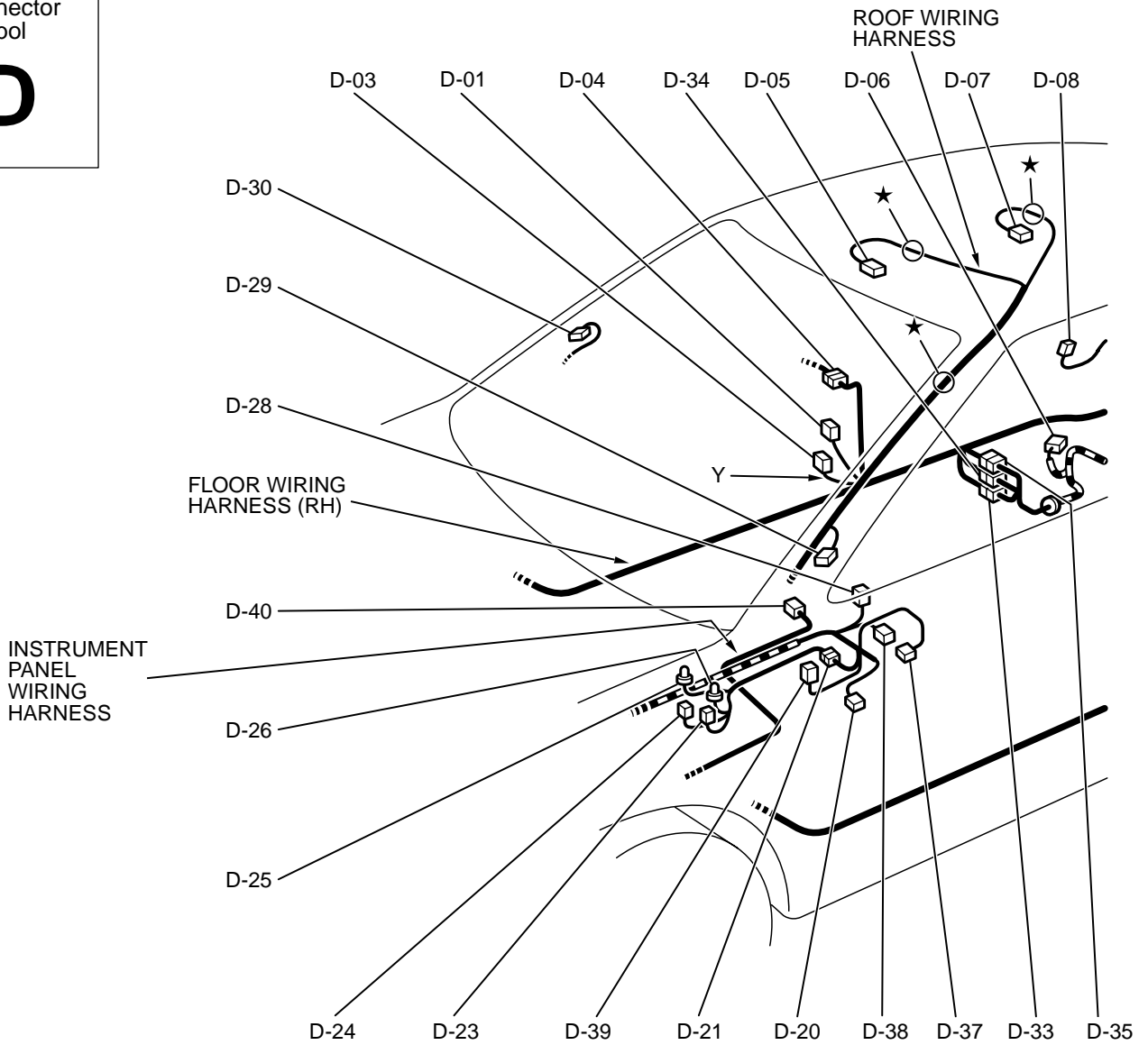
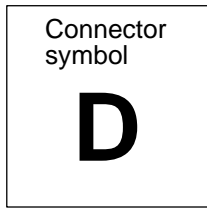
CONNECTOR COLOR CODE

- B : BLACK
- BR : BROWN
- G : GREEN
- GR : GRAY
- L : BLUE
- NONE : MILK WHITE
- O : ORANGE
- R : RED
- V : VIOLET
- Y : YELLOW

C-215 (5)	DEFOGGER RELAY	C-223 (4)	FUEL PUMP RELAY (1)
C-216 (5)	BLOWER RELAY	C-224 (5)	POWER WINDOW RELAY
C-217 (15)	FLOOR WIRING HARNESS (LH) AND JUNCTION BLOCK COMBINATION	C-225 (2)	INSTRUMENT PANEL WIRING HARNESS AND JUNCTION BLOCK COMBINATION <VEHICLES WITH SUNROOF>
C-218 (3)	ROOF WIRING HARNESS AND JUNCTION BLOCK COMBINATION	C-226 (20)	ETACS-ECU
C-219 (4)	NO CONNECTION	C-227 (24)	ETACS-ECU
C-220 (4)	NO CONNECTION	C-228 (24-GR)	ETACS-ECU
C-221 (4)	FUEL PUMP RELAY (2)	C-230 (5)	STEERING ANGULAR VELOCITY SENSOR
C-222 (4)	CHARGE AIR COOLER WATER SPRAY RELAY		

AC208211AB

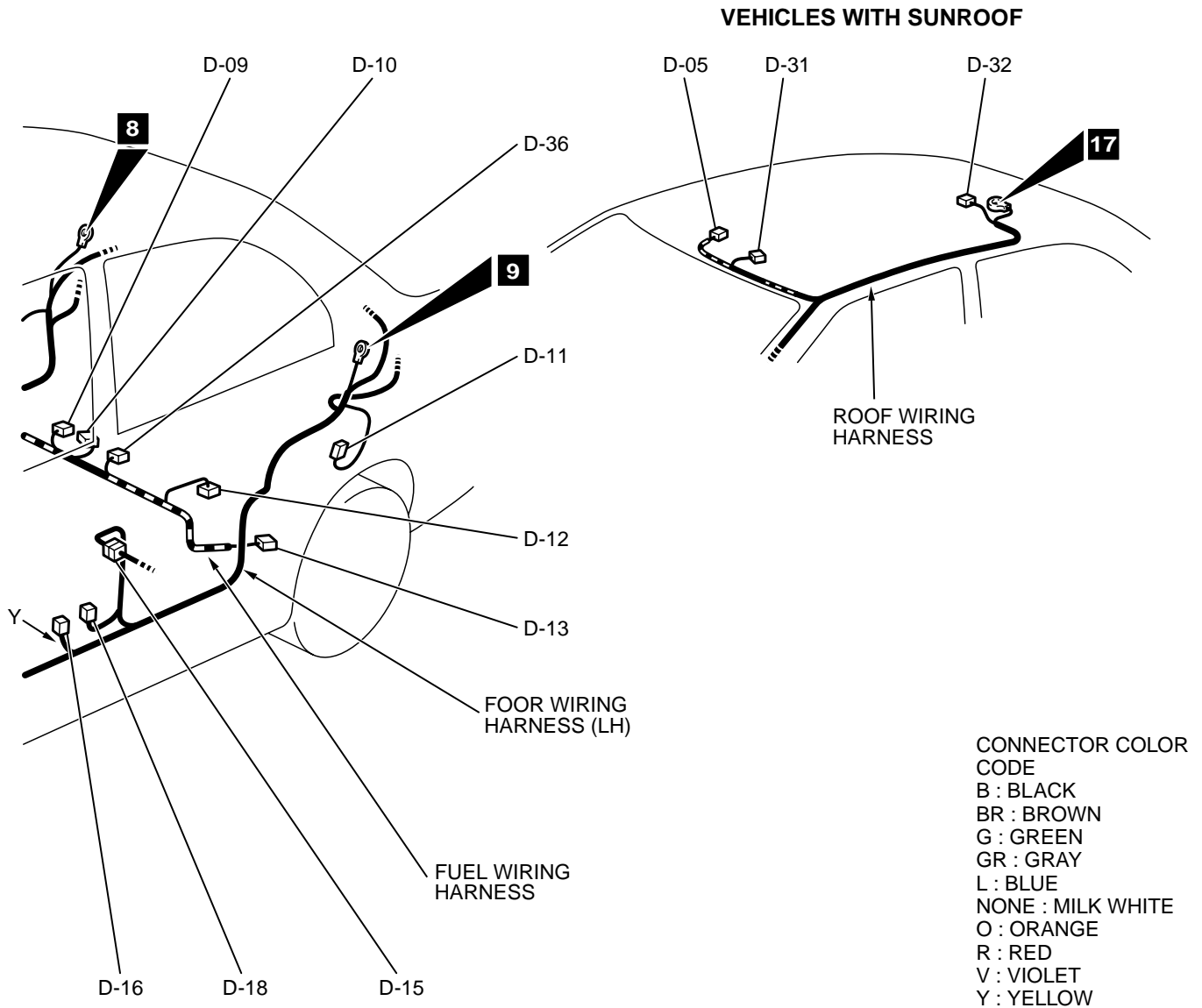
FLOOR AND ROOF



AC208213AB

- |      |        |   |      |        |   |
|------|--------|---|------|--------|---|
| D-01 | (3)    | DOOR SWITCH (FRONT: RH)   | D-12 | (5-GR) | FUEL PUMP AND LEVEL SENSOR (MAIN)                                       |
| D-03 | (2-B)  | SEAT BELT PRETENSIONER (RH)   | D-13 | (2-B)  | ABS SENSOR (REAR: LH)   |
| D-04 | (8)    | FLOOR WIRING HARNESS (RH) AND REAR DOOR WIRING HARNESS (RH) COMBINATION | D-15 | (8)    | FLOOR WIRING HARNESS (LH) AND REAR DOOR WIRING HARNESS (LH) COMBINATION |
| D-05 | (2)    | FRONT DOME LIGHT  | D-16 | (2-B)  | SEAT BELT PRETENSIONER (LH)   |
| D-06 | (2-B)  | ABS SENSOR (REAR: RH)   | D-18 | (3)    | DOOR SWITCH (FRONT: LH)   |
| D-07 | (2-GR) | REAR DOME LIGHT   | D-20 | (2)    | SEAT BELT SWITCH  |
| D-08 | (3)    | DOOR SWITCH (REAR: RH)  | D-21 | (4)    | INSTRUMENT PANEL WIRING HARNESS AND CONSOLE WIRING HARNESS COMBINATION  |
| D-09 | (3-B)  | FUEL TANK DIFFERENTIAL PRESSURE SENSOR                                  |      |        |   |
| D-10 | (2)    | FUEL LEVEL SENSOR (SUB)   |      |        |   |
| D-11 | (3)    | DOOR SWITCH (REAR: LH)  |      |        |   |

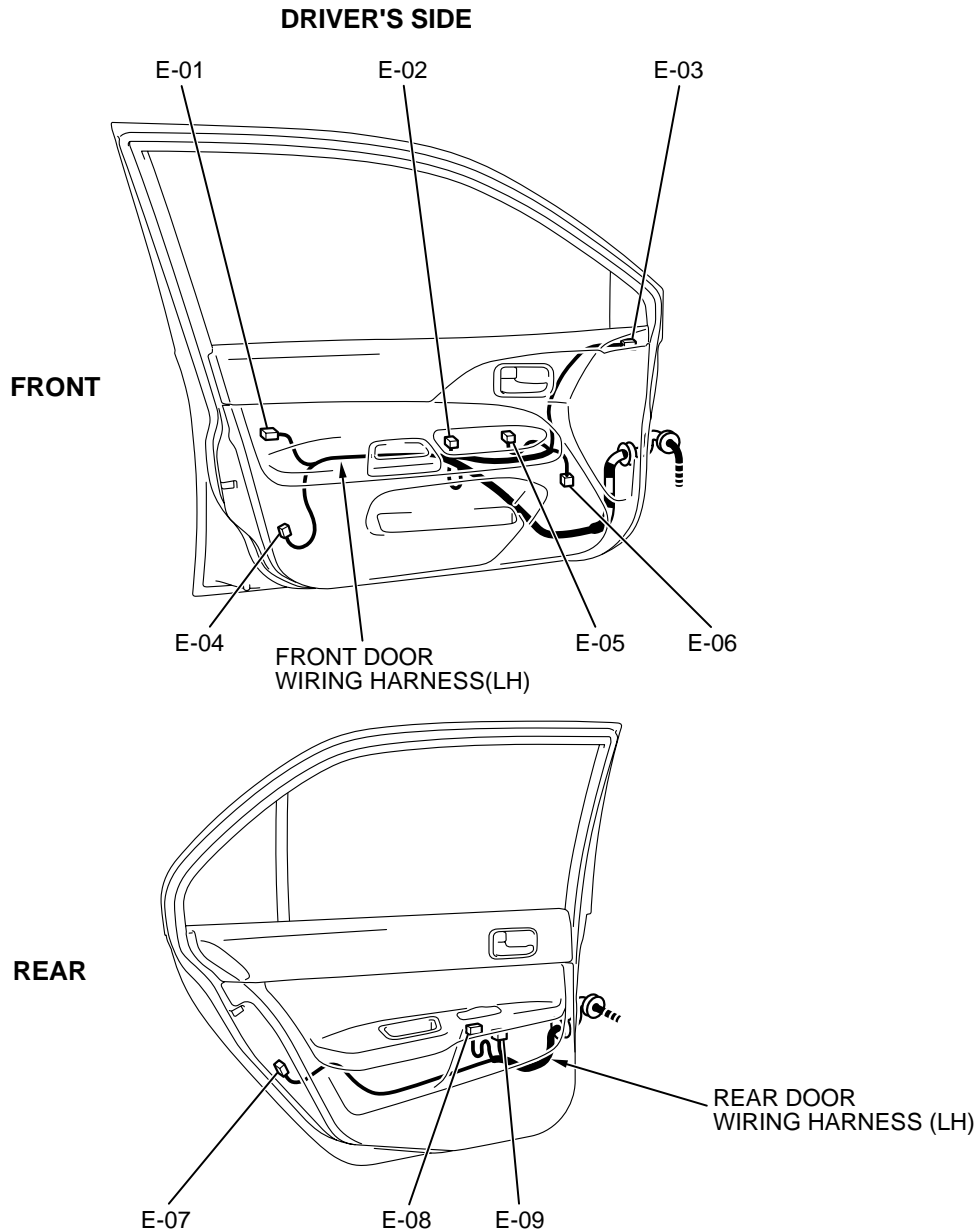
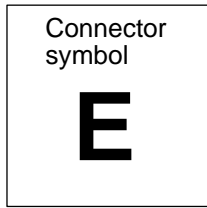




AC208216AB

D-23	(1)	CIGARETTE LIGHTER	D-34	(8)	FLOOR WIRING HARNESS (RH) AND FUEL WIRING HARNESS COMBINATION
D-24	(1-B)	CIGARETTE LIGHTER	D-35	(6)	FLOOR WIRING HARNESS (RH) AND FUEL WIRING HARNESS COMBINATION
D-25	(2-B)	ASHTRAY ILLUMINATION LIGHT	D-36	(3-B)	FUEL TANK TEMPERATURE SENSOR
D-26	(2-B)	CIGARETTE LIGHTER ILLUMINATION LIGHT	D-37	(3-B)	G-SENSOR (LATERAL)
D-28	(1-B)	PARKING BRAKE SWITCH	D-38	(3-B)	G-SENSOR (LONGITUDINAL)
D-29	(2)	TWEETER (LH)	D-39	(6)	CHARGE AIR COOLER WATER SPRAY SWITCH
D-30	(2)	TWEETER (RH)	D-40	(4)	HEATED OXYGEN SENSOR (REAR)
D-31	(6-B)	SUNROOF SWITCH			
D-32	(10)	SUNROOF MOTOR ASSEMBLY			
D-33	(1)	FLOOR WIRING HARNESS (RH) AND FUEL WIRING HARNESS COMBINATION			

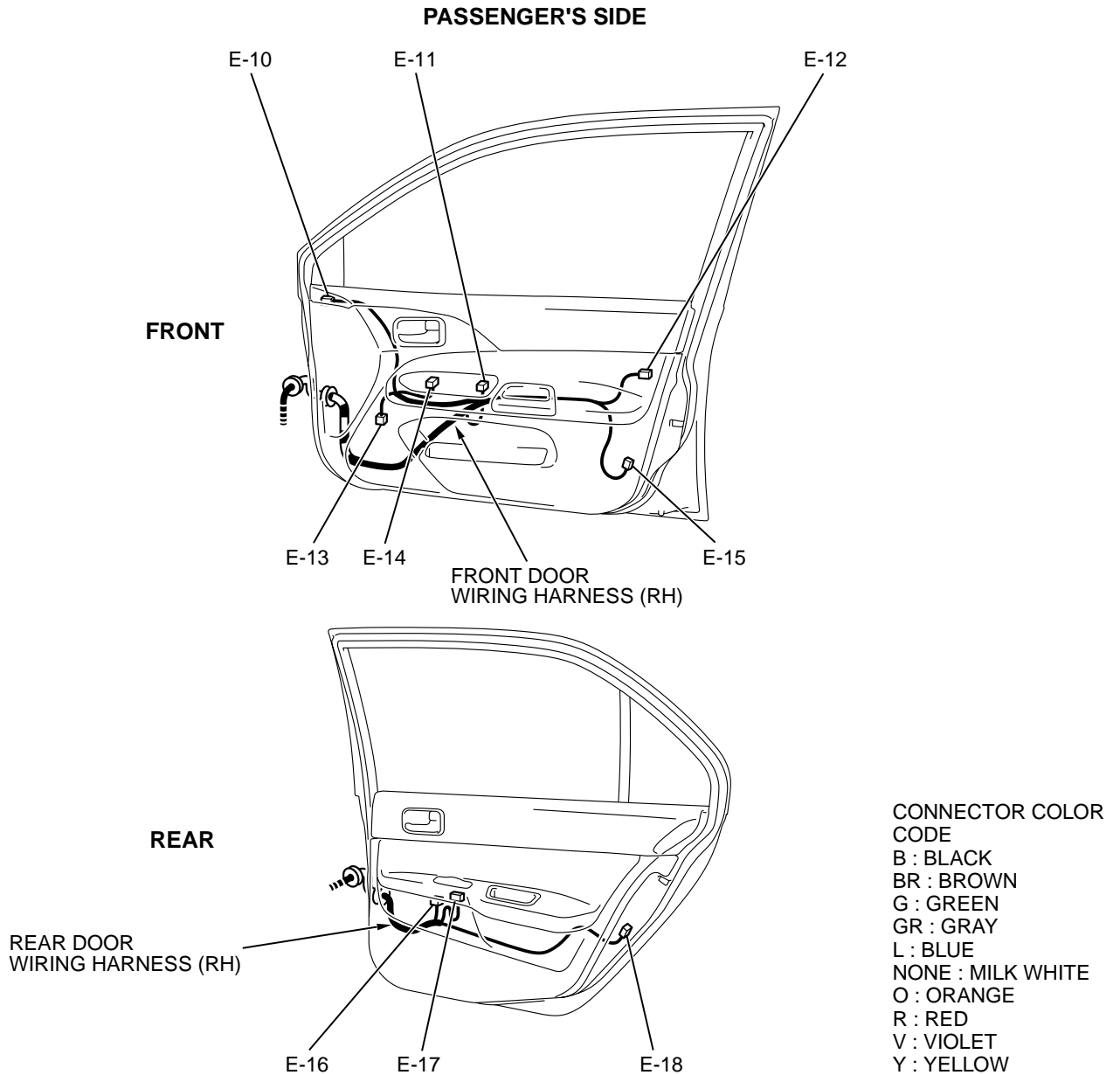
DOOR



- E-01 (3-B) DOOR LOCK KEY CYLINDER SWITCH (LH)
- E-02 (6-GR) POWER WINDOW REGULATOR MOTOR (FRONT: LH)
- E-03 (3) REMOTE CONTROLLED MIRROR (LH)
- E-04 (6-B) DOOR LOCK ACTUATOR (FRONT: LH)
- E-05 (14) POWER WINDOW MAIN SWITCH

- E-06 (2) DOOR SPEAKER (LH)
- E-07 (6-B) DOOR LOCK ACTUATOR (REAR: LH)
- E-08 (8) POWER WINDOW SUB SWITCH (REAR: LH)
- E-09 (6-GR) POWER WINDOW REGULATOR MOTOR (REAR: LH)
- E-10 (3) REMOTE CONTROLLED MIRROR (RH)

AC208219AB



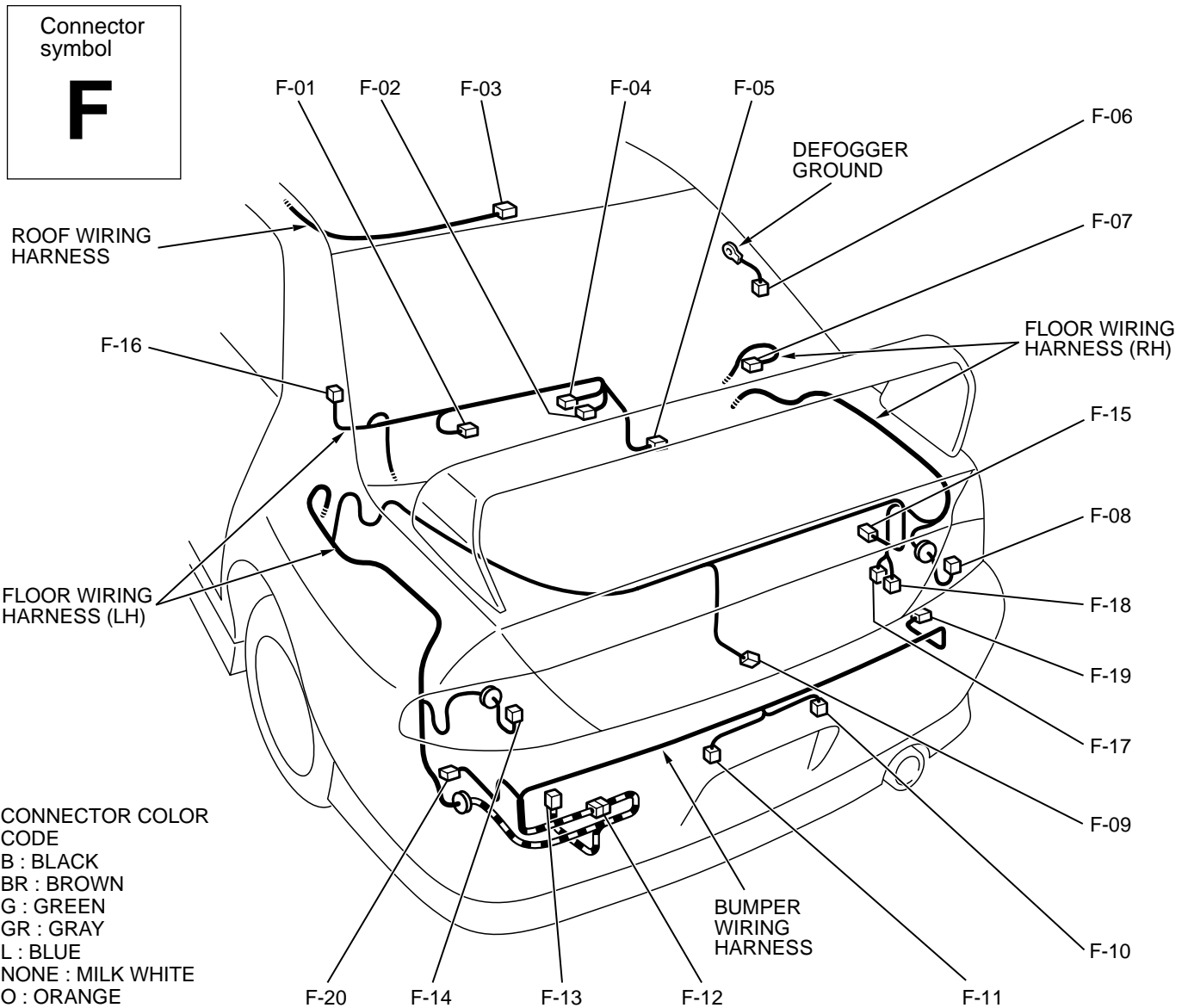
AC208224AB

- E-11 (6-GR) POWER WINDOW REGULATOR MOTOR (FRONT: RH)
- E-12 (3-B) DOOR LOCK KEY CYLINDER SWITCH (RH)
- E-13 (2) DOOR SPEAKER (RH)
- E-14 (8) POWER WINDOW SUB SWITCH (FRONT)
- E-15 (6-B) DOOR LOCK ACTUATOR (FRONT: RH)

- E-16 (6-GR) POWER WINDOW REGULATOR MOTOR (REAR: RH)
- E-17 (8) POWER WINDOW SUB SWITCH (REAR: RH)
- E-18 (6-B) DOOR LOCK ACTUATOR (REAR: RH)

LUGGAGE COMPARTMENT

M1801001500292



AC208225 AB

F-01	(2)	REAR SPEAKER (LH)	F-12	(2-GR)	FLOOR WIRING HARNESS (LH) AND BUMPER WIRING HARNESS COMBINATION
F-02	(2)	LUGGAGE COMPARTMENT LIGHT	F-13	(2)	EVAPORATIVE EMISSION VENTILATION SOLENOID
F-03	(1)	ROOF ANTENNA	F-14	(6-B)	REAR COMBINATION LIGHT ASSEMBLY (LH)
F-04	(2-B)	HIGH MOUNTED STOPLIGHT <REAR SHELF>	F-15	(2)	HIGH MOUNTED STOPLIGHT <REAR SPOILER>
F-05	(4)	REAR WIPER MOTOR	F-16	(1)	DEFOGGER (+)
F-06	(1-B)	DEFOGGER (-)	F-17	(2-G)	REAR WASHER MOTOR
F-07	(2)	REAR SPEAKER (RH)	F-18	(2)	WINDSHIELD WASHER MOTOR
F-08	(6-B)	REAR COMBINATION LIGHT ASSEMBLY (RH)	F-19	(2-GR)	REAR SIDE MARKER LIGHT (RH)
F-09	(1-B)	LUGGAGE COMPARTMENT LIGHT SWITCH	F-20	(2-GR)	REAR SIDE MARKER LIGHT (LH)
F-10	(2-GR)	LICENSE PLATE LIGHT (RH)			
F-11	(2-GR)	LICENSE PLATE LIGHT (LH)			