
GROUP 35A**SERVICE BRAKES****CONTENTS**

GENERAL DESCRIPTION.....	35A-2	FRONT DISC BRAKE.....	35A-5
MASTER CYLINDER.....	35A-4	REAR DISC BRAKE.....	35A-6
BRAKE BOOSTER ASSEMBLY....	35A-4		

GENERAL DESCRIPTION

M2350000100183

Top components such as Brembo™ brakes, EBD and sports ABS improve braking power and braking stability.

FEATURES

Improved braking performance

1. A 8+9-inch tandem vacuum booster is utilized to provide high braking force with a small pedal depression force.
2. Brembo™ 17-inch 4-pot front ventilated disc brakes and Brembo™ 16-inch 2-pot rear ventilated disc brakes are adopted to provide stable braking force and improved braking feel.

Improved stability

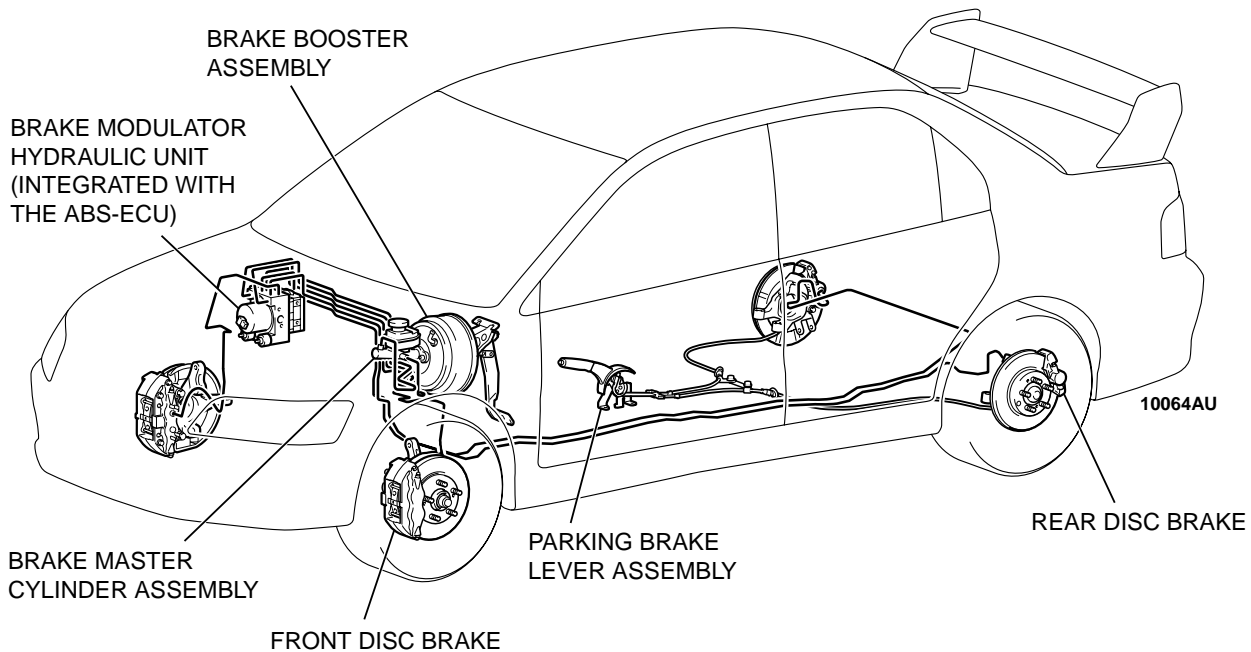
1. Sports ABS (4-wheel anti-lock braking system) is used to prevent slipping caused by the vehicle wheels locking up in order to maintain an appropriate braking distance, and also to maintain a stable vehicle posture and steering performance.

2. Adoption of an electronic brake-force distribution (EBD) makes it possible to maintain the maximum amount of braking force even when the vehicle's load is unevenly distributed.
3. Front- and rear-wheel X-type brake line layout is used.
4. Ventilated discs improve anti-fading performance.

Improved serviceability

1. A diagnosis function has been adopted for the ABS system in order to make inspection easier.
2. An outer disc method separated hub and rotor is featured to make removal and installation easier.
3. The master cylinder reservoir tank cap is colored white to make identification easier.
4. The ABS-ECU and hydraulic unit are integrated to make them more compact and light weight.

CONSTRUCTION DIAGRAM



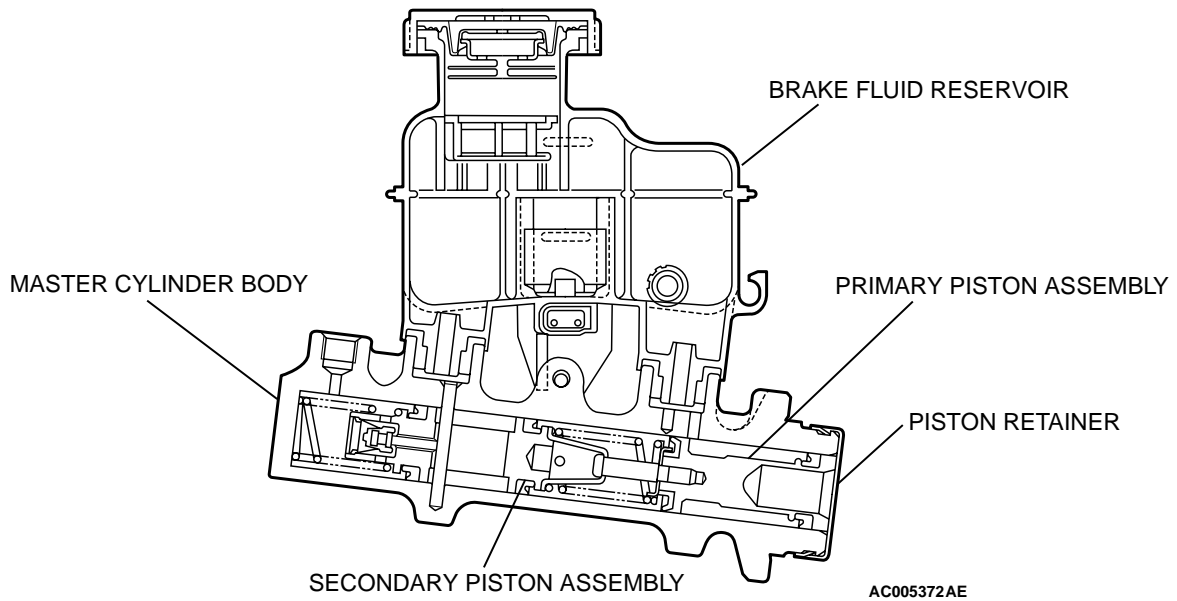
AC211387AB

SPECIFICATIONS

ITEM		SPECIFICATION
Master cylinder	Type	Tandem type
	I.D. mm (in)	26.9 (1.06)
Brake booster	Type	Vacuum type, tandem
	Effective dia. of power cylinder mm (in)	205 + 230 (8.07 + 9.06)
	Boosting ratio	4.5 <Brake pedal depressing force: 230 N (51.7 lb)>
Rear wheel hydraulic control method		Electronic brake-force distribution (EBD)
Front brakes	Type	4-opposed piston, ventilated disc
	Disc effective dia × thickness mm (in)	263 × 32 (10.4 × 1.3)
	Wheel cylinder I.D. mm (in)	40.0 (1.58) × 2, 46.0 (1.81) × 2
	Pad thickness mm (in)	10.0 (0.39)
	Clearance adjustment	Automatic
Rear brakes	Type	2-opposed piston, ventilated disc
	Disc effective dia × thickness mm (in)	252 × 22 (9.9 × 0.9)
	Wheel cylinder I.D. mm (in)	40.0 (1.58) × 2
	Pad thickness mm (in)	9.0 (0.35)
	Clearance adjustment	Automatic
Brake fluid		DOT3 or DOT4

MASTER CYLINDER

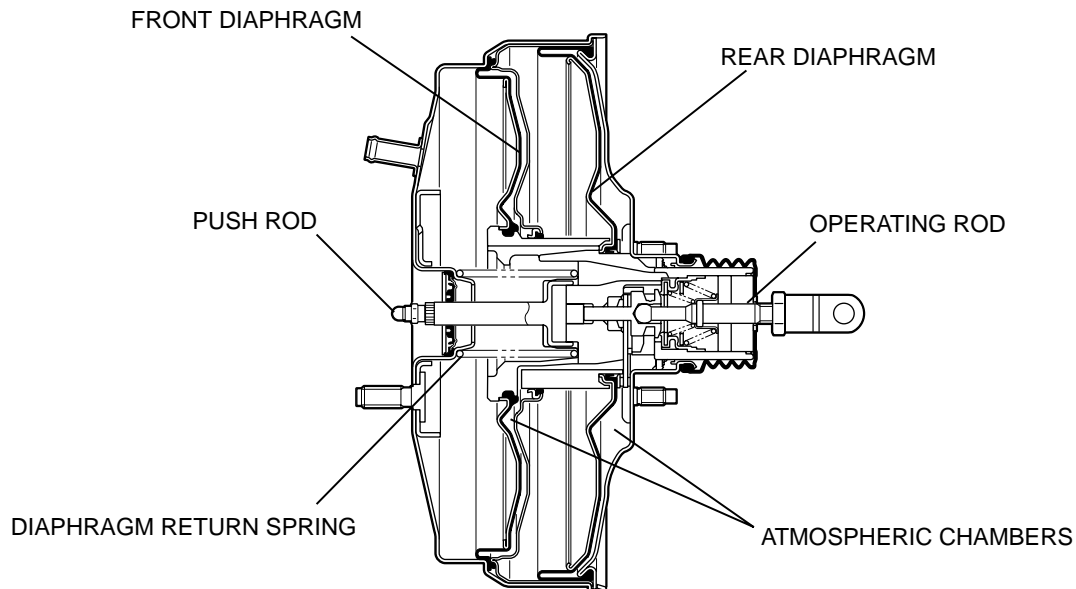
M2350001000145



The master cylinder is a tandem-type, with a structure that emphasizes safety.

BRAKE BOOSTER ASSEMBLY

M2350002000148

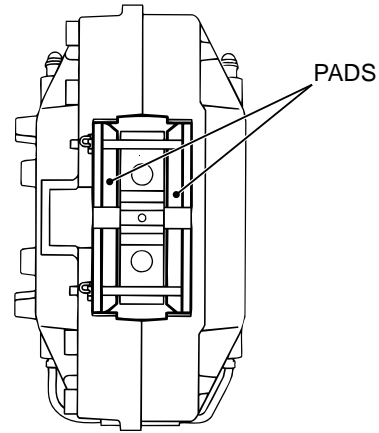
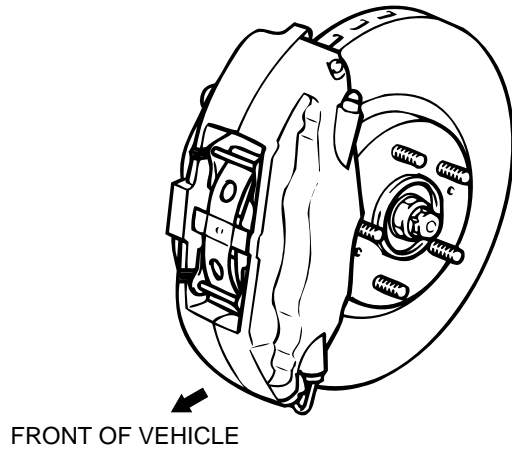


A 8 + 9-inch tandem-type brake booster assembly has been adopted.

AC206215AC

FRONT DISC BRAKE

M2350003000141



AC211388AB

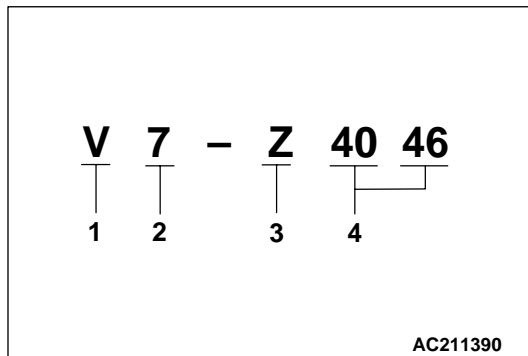
Brakes with the following specifications have been adopted for the front brakes.

- Brembo™ V7-Z4046 4-opposed-piston ventilated discs
- An outer disc method in which the wheels and discs are tightened together is used to improve the ease of brake disc removal and installation.

- The brake pads are equipped with mechanical-type audible wear indicators to notify the driver when the usage limit [2 mm (0.08 in)] is reached.
- Split fins adopted as the disc fins to improve cooling performance

NOTE: Brembo™ is an italian brake component maker whose name and products are well known in the motorsports world.

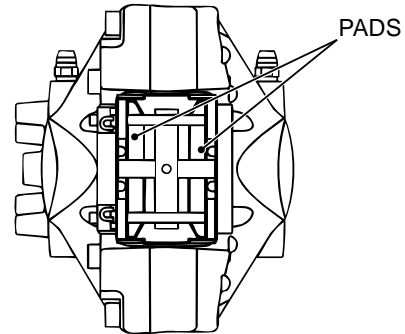
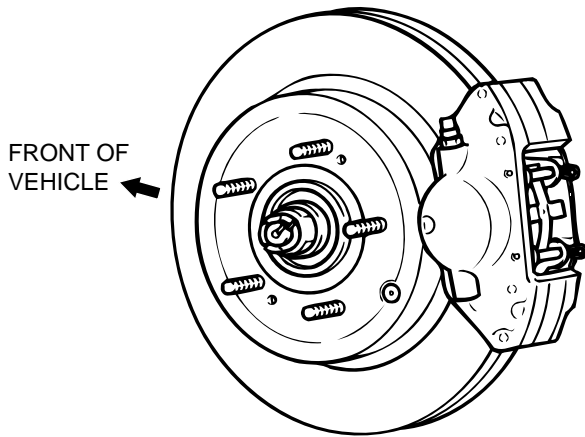
DISC BRAKE NOMENCLATURE



NO.	ITEM	CONTENT
1	Brake disc type	V: Ventilated
2	Brake size (Minimum applicable disc wheel)	7: 17-inch
3	No. of pistons	Z: 4-piston (opposed type)
4	Piston size (rounded to nearest integer)	40: $\phi 40$ mm (1.6 in) 46: $\phi 46$ mm (1.8 in)

REAR DISC BRAKE

M2350004000155



AC211389AB

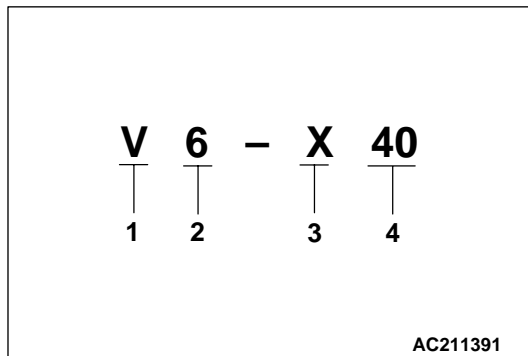
Brakes with the following specifications have been adopted for the rear brakes.

- Brembo™ V6-X40 2-opposed-piston ventilated discs
- An outer disc method in which the wheels and discs are tightened together is used to improve the ease of brake disc removal and installation.

- The brake pads are equipped with mechanical-type audible wear indicators to notify the driver when the usage limit [2 mm (0.08 in)] is reached.
- Split fins adopted as the disc fins to improve cooling performance

NOTE: Brembo™ is an Italian brake component maker whose name and products are well known in the motorsports world.

DISC BRAKE NOMENCLATURE



NO.	ITEM	CONTENT
1	Brake disc type	V: Ventilated
2	Brake size (Minimum applicable disc wheel)	6: 16-inch
3	No. of pistons	X: 2-piston (opposed type)
4	Piston size (rounded to nearest integer)	40: φ40 mm (1.6 in)