

---

**GROUP 27**

**REAR AXLE**

**CONTENTS**

REAR AXLE ..... 27-2    DIFFERENTIAL..... 27-3



# REAR AXLE

M2270003000083

The rear axle consists of rear wheel hub assembly, knuckles and driveshafts, and has the following features:

- The wheel bearing incorporates a unit ball bearing (double-row angular contact ball bearing) for reduced friction.
- The rear wheel hub assembly combines the hub, wheel bearing, housing, and oil seal in a single unit for fewer parts, better rigidity, improved assembly precision, and better structural organization.
- The driveshaft on wheel side incorporates an EBJ type constant velocity joint.

- The driveshaft on differential side incorporates a TJ type constant velocity joint.
- ABS rotors for detecting the wheel speed are press-fitted to the EBJ.
- For environmental protection, a lead-free grease is used on the joints.

**NOTE:**

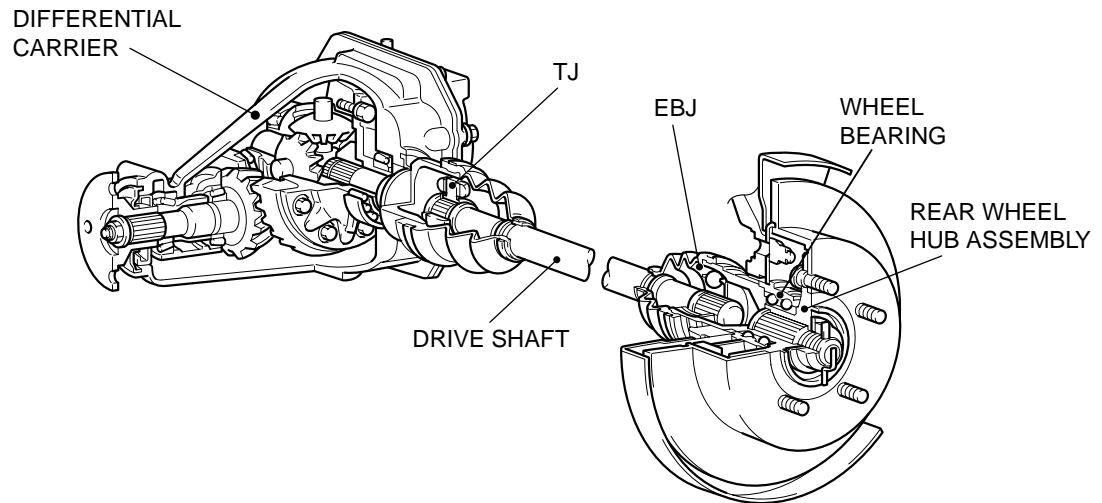
- *EBJ: Eight Ball Fixed Joint; The use of the smaller-sized eight balls inside the joint achieves weight saving and compact size compare with BJ (Birfield Joint).*
- *TJ: Tripod Joint*

## SPECIFICATIONS

ITEM		SPECIFICATION	
Wheel bearing	Type	Unit ball bearing (Double-row angular contact ball bearing)	
Drive shaft	Type	Outer	EBJ
		Inner	TJ
	Length (joint to joint) × diameter mm (in)	Left	485.6 × 25 (19.1 × 1.0)
		Right	575.5 × 25 (22.7 × 1.0)

*NOTE: The wheel bearing is part of the hub, therefore its size is not listed here.*

## CONSTRUCTION DIAGRAM



AC211190AB

## DIFFERENTIAL

M2270001000087

A mechanical-type Limited Slip Differential is used.  
The differential specifications are established as follows.

### SPECIFICATIONS

ITEM		SPECIFICATION
Reduction gear type		Hypoid gear
Reduction ratio		3.307
Differential gear type (Type × number of gears)	Side gear	Straight bevel gear × 2
	Pinion gear	Straight bevel gear × 4
Number of teeth	Drive gear	43
	Drive pinion	13
Bearing (Outside diameter × inside diameter) mm (in)	Side	72.0 × 25.0 (2.83 × 1.0)
	Front	62.0 × 25.0 (2.44 × 1.0)
	Rear	72.0 × 25.0 (2.83 × 1.0)
Differential gear oil	Type	Hypoid gear oil MITSUBISHI Genuine Gear Oil Part No.8149630EX or equivalent
	Amount dm <sup>3</sup> (qt)	0.55 (0.58)

**DIFFERENTIAL MOUNT**

The front of differential carrier is supported with the differential support member via the differential mount bracket with insulator. The rear is supported with the differential support arm.

**CONSTRUCTION DIAGRAM**