

**GROUP 51**

**EXTERIOR**

**CONTENTS**

<b>GENERAL INFORMATION</b> .....	<b>51-2</b>	<b>WINDSHIELD WIPER AND WASHER</b>	<b>51-5</b>
		GENERAL INFORMATION .....	51-5
<b>BUMPER</b> .....	<b>51-3</b>	<b>REAR WIPER AND WASHER</b> .....	<b>51-7</b>
GENERAL INFORMATION .....	51-3	GENERAL INFORMATION .....	51-7
<b>AERO PARTS</b> .....	<b>51-4</b>	<b>OUTSIDE MIRROR</b> .....	<b>51-8</b>
GENERAL INFORMATION .....	51-4	GENERAL INFORMATION .....	51-8

## GENERAL INFORMATION

M2510000100547

The front mask carries on and further instills the new Mitsubishi design identity while also achieving a balance of cooling and aerodynamic performance. Consideration was also given to production model qualification, and the new model aims to demonstrate the evolution over its predecessor with a dauntless and aggressive new look as well as the appearance of higher quality.

### DESIGN FEATURES

#### 1. Large Three Diamond Mark

The three-dimensional mark creates the presence that befits the car's identity.

#### 2. Front Bumper with Integrated Grille

The front bumper expresses the brand's design identity while satisfying cooling requirements.

#### 3. Front Air Dam

The design strikes a continuous line with the bumper for an integrated look.

#### 4. Rear Spoiler

Two types of rear spoiler are available (i.e. Type A and B). Type A is made of carbon fiber. Type B is equipped with high-mount stop light.

#### 5. Rear Bumper

The design achieves a balance with that of the front bumper while it remains simple and does not appear to protrude or stand out.

#### 6. Lancer and Evolution Mark

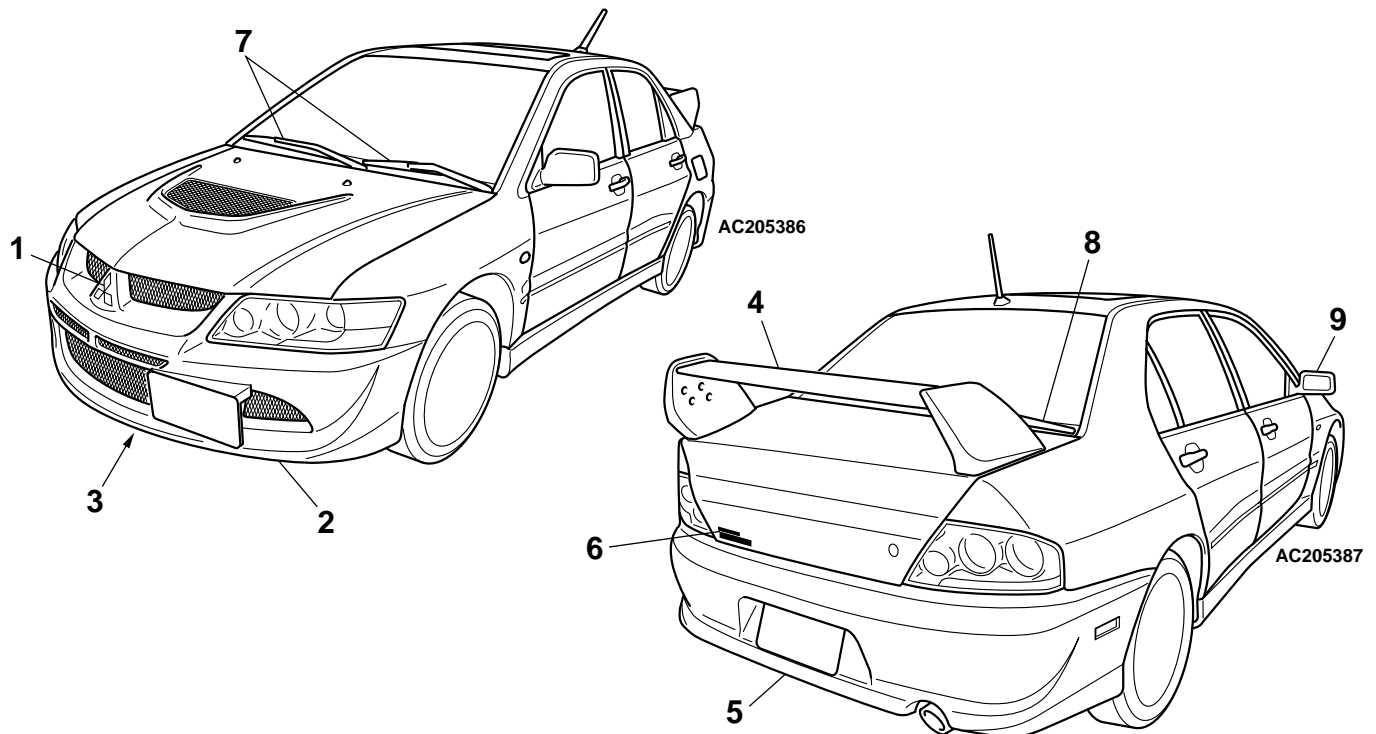
The layout of the marks is in keeping with the brand strategy while it recreates in cool fashion the technical image of the Evolution.

### USER-FRIENDLINESS

7. Two-speed type windshield wipers.
8. The rear wiper has an initial continuous operation and reverse gear-linked operation functions.
9. Electric remote-controlled outside mirror.

### SUPPORT RECYCLING OF RESOURCES

Aggressively uses PP (polypropylene) materials that are easy to recycle.



AC210723AB

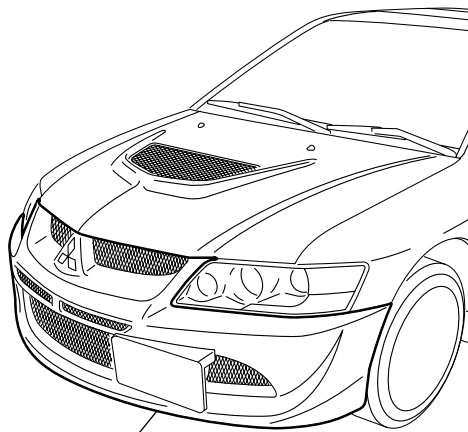
## BUMPER

### GENERAL INFORMATION

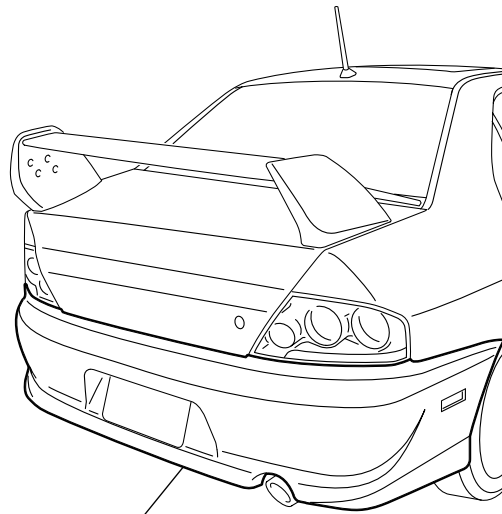
A large front bumper integrated with radiator grill and a rear bumper integrated with rear under spoiler have been adopted for better aerodynamic performance. A cooling hole for the intercooler is in the center of the front bumper. The front license plate mount is offset from the center to the left side to improve the cooling performance of the intercooler.

M2510000100592

### CONSTRUCTION DIAGRAM



FRONT BUMPER



REAR BUMPER

AC210166AB

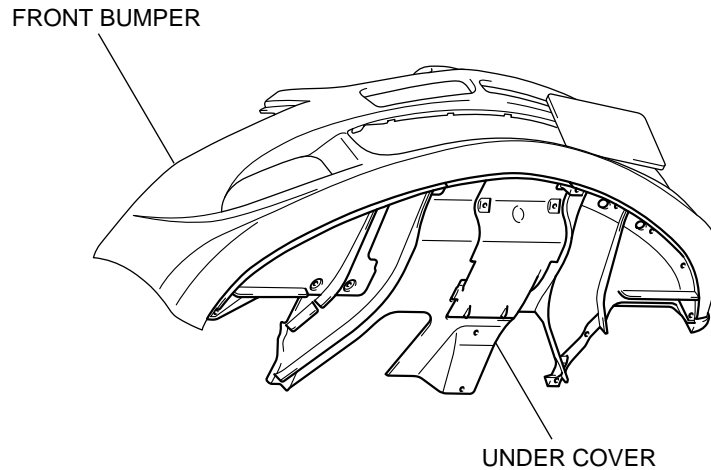
## AERO PARTS

### GENERAL INFORMATION

M2510000100558

- An under cover, a side air dam and a rear spoiler have been adopted for better aerodynamic performance and an appealing look.
- The rear spoiler has two types. Type A is standard, and type B is optional equipment. The model without a spoiler is offered as an option.

### CONSTRUCTION DIAGRAM

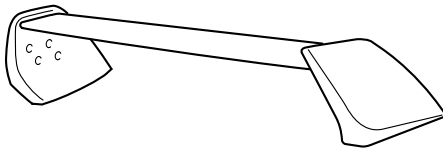


AC210652AB

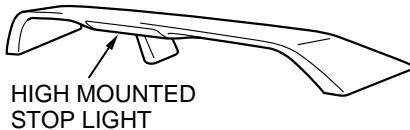
### UNDER COVER

The large undercover with venturi ducts improve downforce characteristics and drivetrain cooling performance.

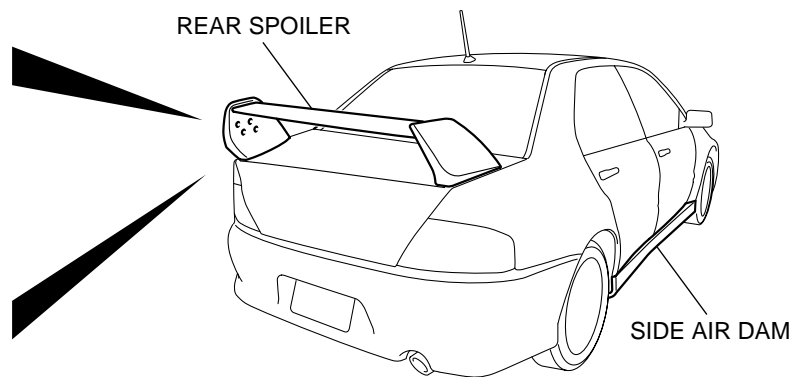
#### TYPE A



#### TYPE B



#### REAR SPOILER



AC212236 AB

### REAR SPOILER

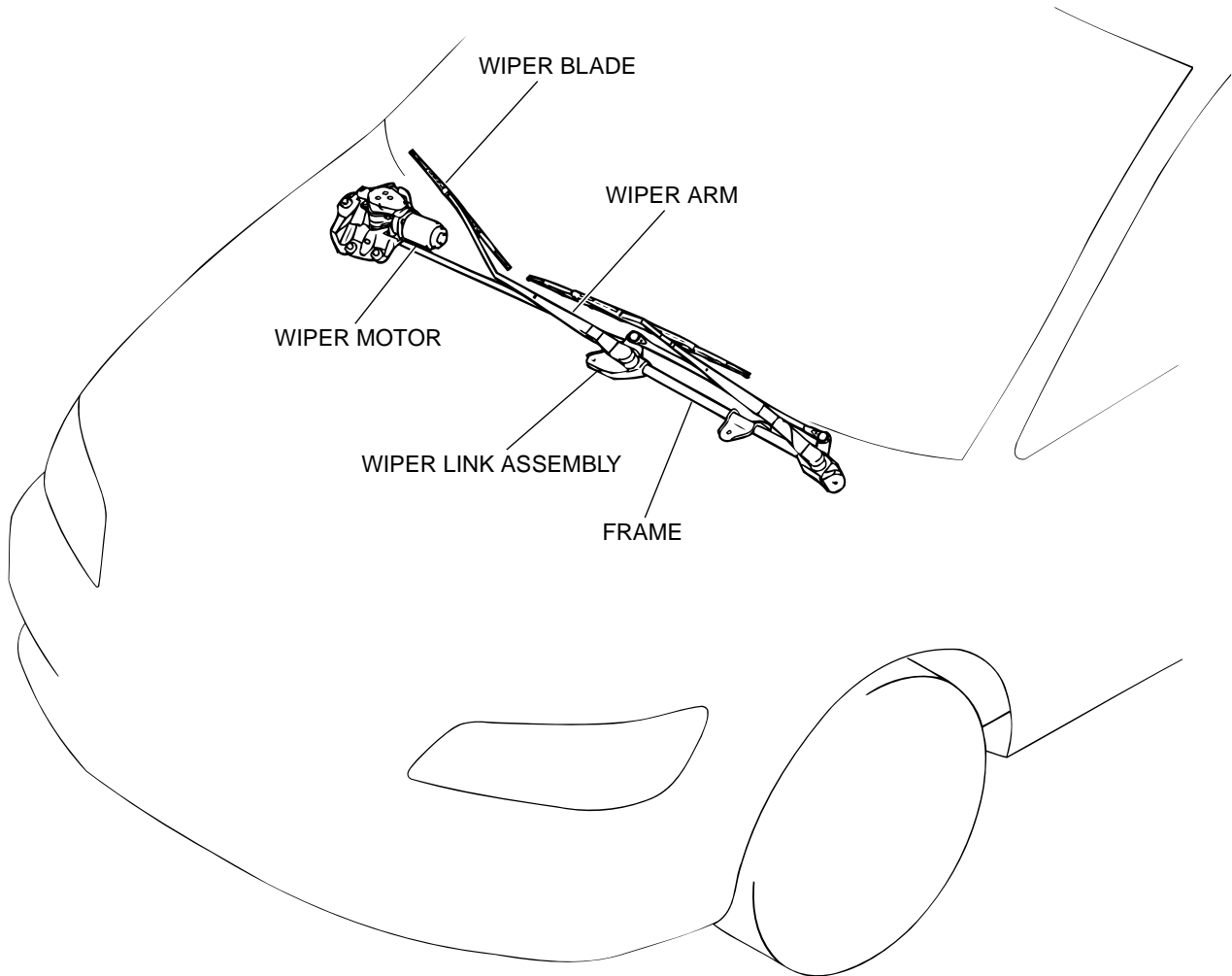
- For type A <standard>, the use of carbon fiber for the rear spoiler makes the unit more rigid and thinner for minimum drag that produces efficient downforce.
- For type B <option>, a rear spoiler incorporating high-mounted stop light has been adopted.

# WINDSHIELD WIPER AND WASHER

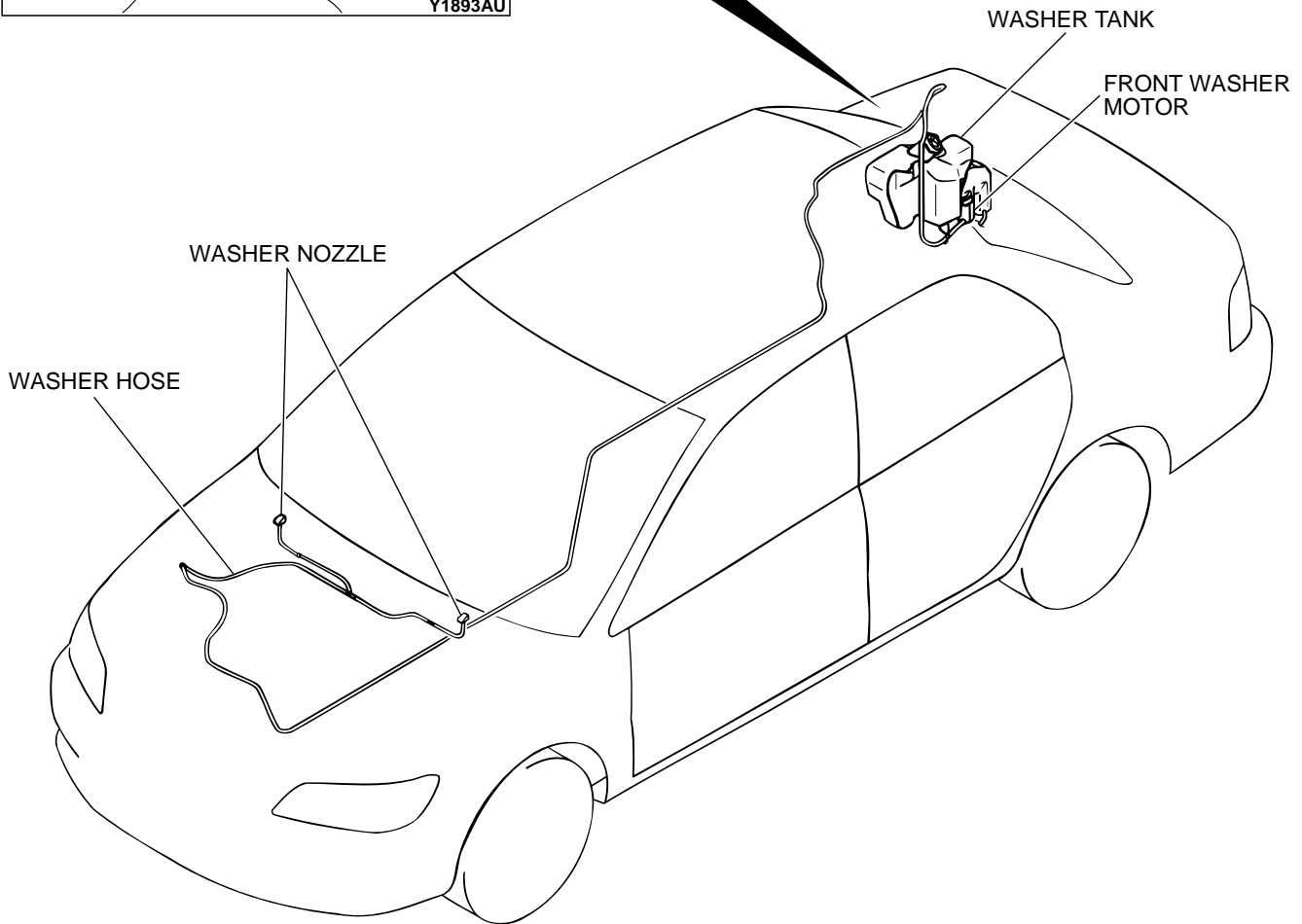
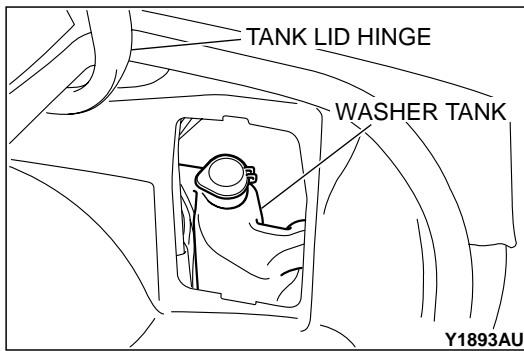
## GENERAL INFORMATION

M2510000100569

## CONSTRUCTION DIAGRAM



AC210201 AB



AC210194AB

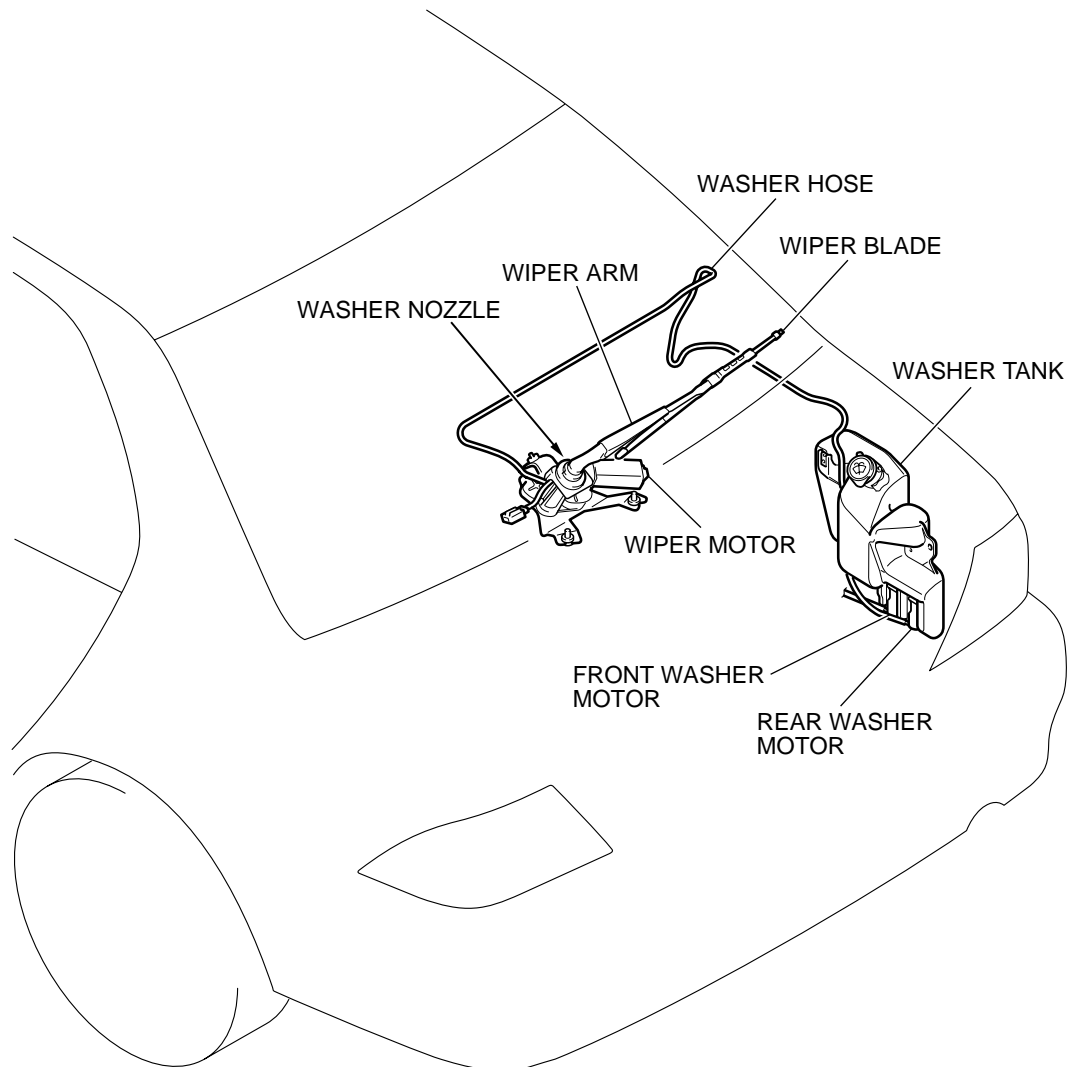
- Two-speed type windshield wipers operate at low or high speed.
- The intermittent wiper features a vehicle speed sensitive intermittent time variable system.
- Higher rigidity of link assembly reduces incomplete cleaning, and provides smooth wiper operation and quiet wiper operation.
- The mist wiper function is activated by moving the wiper switch in the opposite direction. The wipers operate at high speed while the mist switch remains on. When the mist switch is returned to the OFF position for a moment, the wipers operate once at low speed.
- The windshield washer system is 2-nozzle and 4-jet type. The wipers wipe when the washer function has been activated.

## REAR WIPER AND WASHER

### GENERAL INFORMATION

M2510000100570

### CONSTRUCTION DIAGRAM



AC210174AB

- The fixed interval type intermittent wiper has been adopted.
- The initial continuous operation is; when the rear wiper switch is turned on, the rear wiper operates continuously through two or three cycles to wipe away the rain from the glass and then it changes to intermittent operation.
- Reverse-gear linked operation: when the selector lever is moved to the reverse (R) position with the rear wiper switch at the intermittent position, there is a delay of approximately one second, and then the wiper operates two or three times continuously at low speed, and then it continues operating in normal intermittent mode.

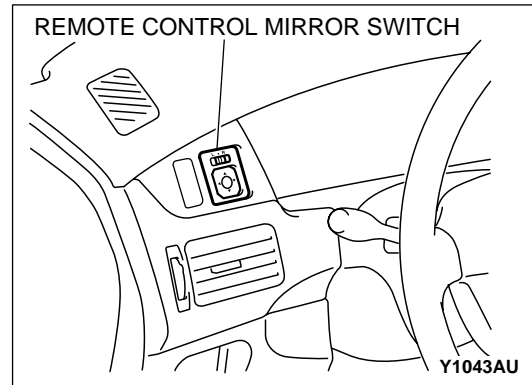
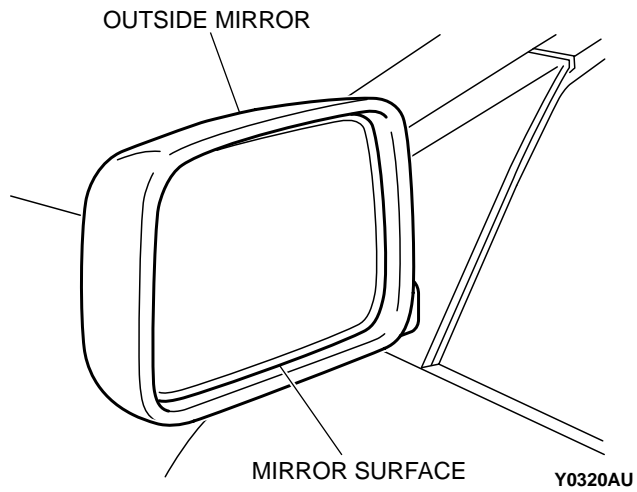
# OUTSIDE MIRROR

## GENERAL INFORMATION

Electric remote control outside mirror have been adopted.

M2510000100581

## CONSTRUCTION DIAGRAM



AC210398AB