

---

**GROUP 13B**

**FUEL SUPPLY**

**CONTENTS**

**GENERAL DESCRIPTION..... 13B-2 FUEL TANK ..... 13B-3**

# GENERAL DESCRIPTION

M2134000100123

The fuel system consists of the following components:

- Fuel injector
- Fuel rail
- Fuel pressure regulator
- Fuel tank assembly
- Evaporative emission canister

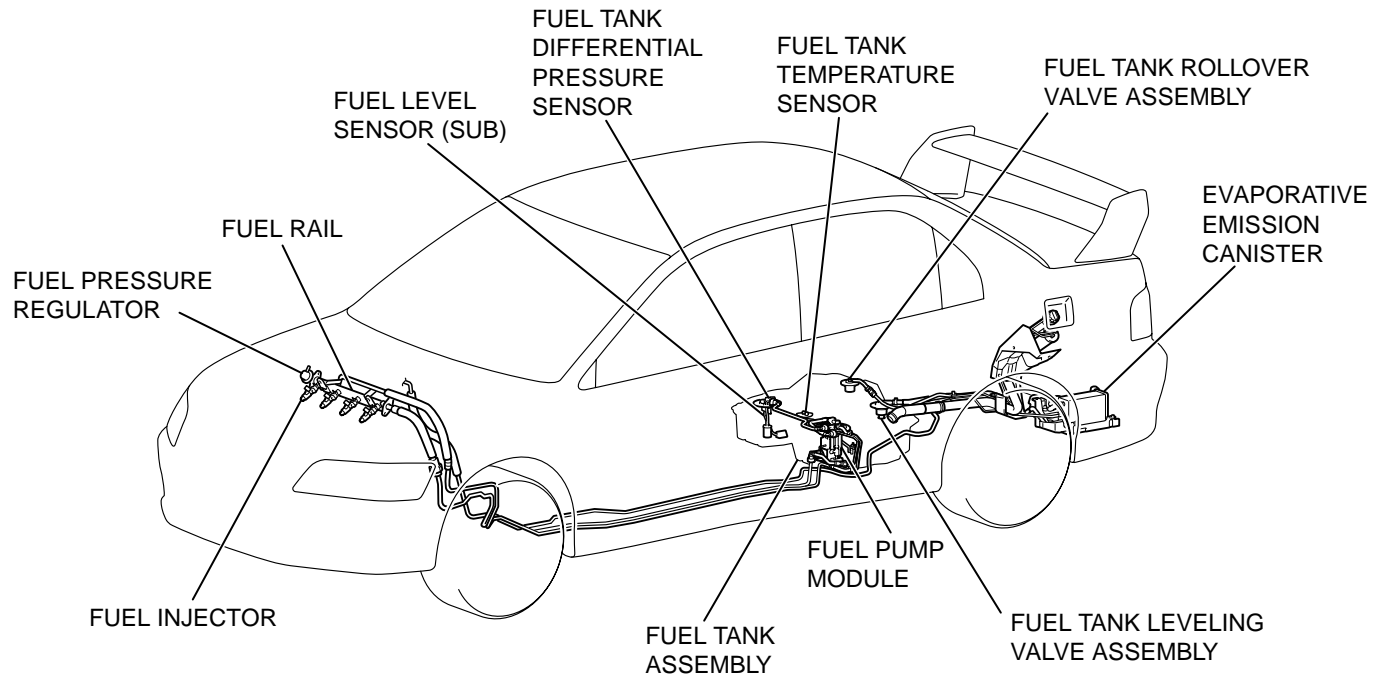
The fuel tank assembly consists of the following

- Fuel pump module
- Fuel level sensor (sub)
- Fuel tank leveling valve assembly
- Fuel tank rollover valve assembly
- Fuel tank differential pressure sensor
- Fuel tank temperature sensor

## SPECIFICATIONS

ITEM		SPECIFICATION
Fuel tank capacity dm <sup>3</sup> (gal)		53 (14.0)
Fuel pump type		Electric
Fuel filter type		Cartridge (incorporates fuel pump module)
Fuel return system		Fuel pressure regulator return
Fuel pump pressure regulator pressure kPa (psi)		294 (42.6)
Fuel injector	Type	Electro-magnetic
	Quantity	4
Evaporative emission control system		Canister

## CONSTRUCTION DIAGRAM



AC210026AB

## FUEL TANK

M2134001000163

A steel fuel tank is located under the floor of the rear seats to provide increased safety and increase the amount of luggage compartment space.

The fuel tank assembly consists of the following components:

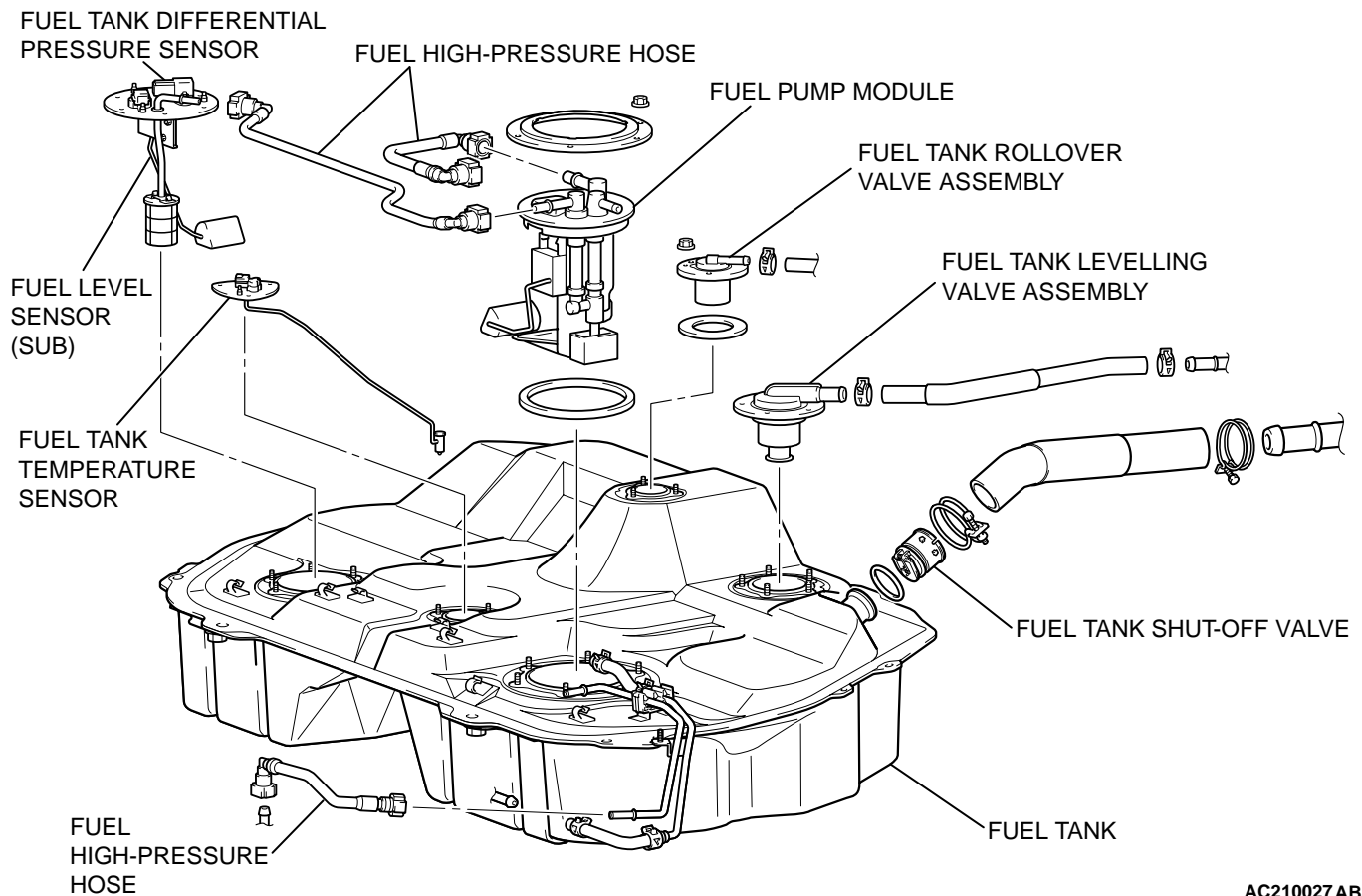
- Fuel high-pressure hose
- Fuel tank
- Fuel pump module
- Fuel level sensor (sub)
- Fuel tank leveling valve assembly
- Fuel tank rollover valve assembly

- Fuel tank shut-off valve
- Fuel tank differential pressure sensor
- Fuel tank temperature sensor

The fuel pump module consists of the following components:

- Fuel pump
- Fuel level sensor (main)
- Fuel filter
- Fuel feed assist pump

### CONSTRUCTION DIAGRAM



AC210027 AB

---

## NOTES