
GROUP 16

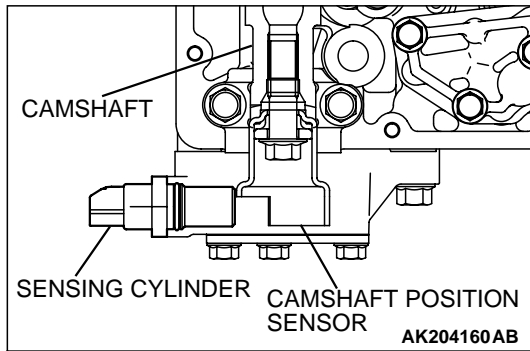
**ENGINE
ELECTRICAL**

CONTENTS

CAMSHAFT POSITION SENSOR . . . 16-2

CAMSHAFT POSITION SENSOR

M2163002000069



The camshaft position sensor detects the camshaft position using a sensing cylinder which is mounted at the rear end the exhaust camshaft.