

---

**GROUP 55**

**HEATER, AIR  
CONDITIONING AND  
VENTILATION**

**CONTENTS**

<b>GENERAL INFORMATION .....</b>	<b>55-2</b>	<b>VENTILATION SYSTEM.....</b>	<b>55-6</b>
<b>HEATER AND AIR CONDITIONER SYSTEM.....</b>	<b>55-4</b>		



**GENERAL INFORMATION**

M2551000100191

The heater and air conditioner system incorporating the heater and cooling unit has reduced ventilation resistance to increase air volume and reduce noise.

**FEATURES****Improvements in comfort**

1. Two-way blow full air mix heater
2. Low noise, large air volume heater and air conditioner system

**Improvements in operation performance**

1. Installation of dial type control with excellent operation performance on the heater and air conditioner control panel
2. Incorporation of rear defogger switch with timer into the control panel
3. Increase in panel display size

**Reliable visual field (improvement in safety)**

1. Achievement of ventilation system to defog windows by increasing the outside air intake duct area on the front deck and adopting a large air outlet
2. Windshield defogging speed improvement derived from increase in air volume and wind speed by adopting a blower type defroster and high performance heater

**Improvements in fuel economy**

1. Optimization of idle rotation speed according to air conditioner load
2. Installation of sub-cooling type condenser

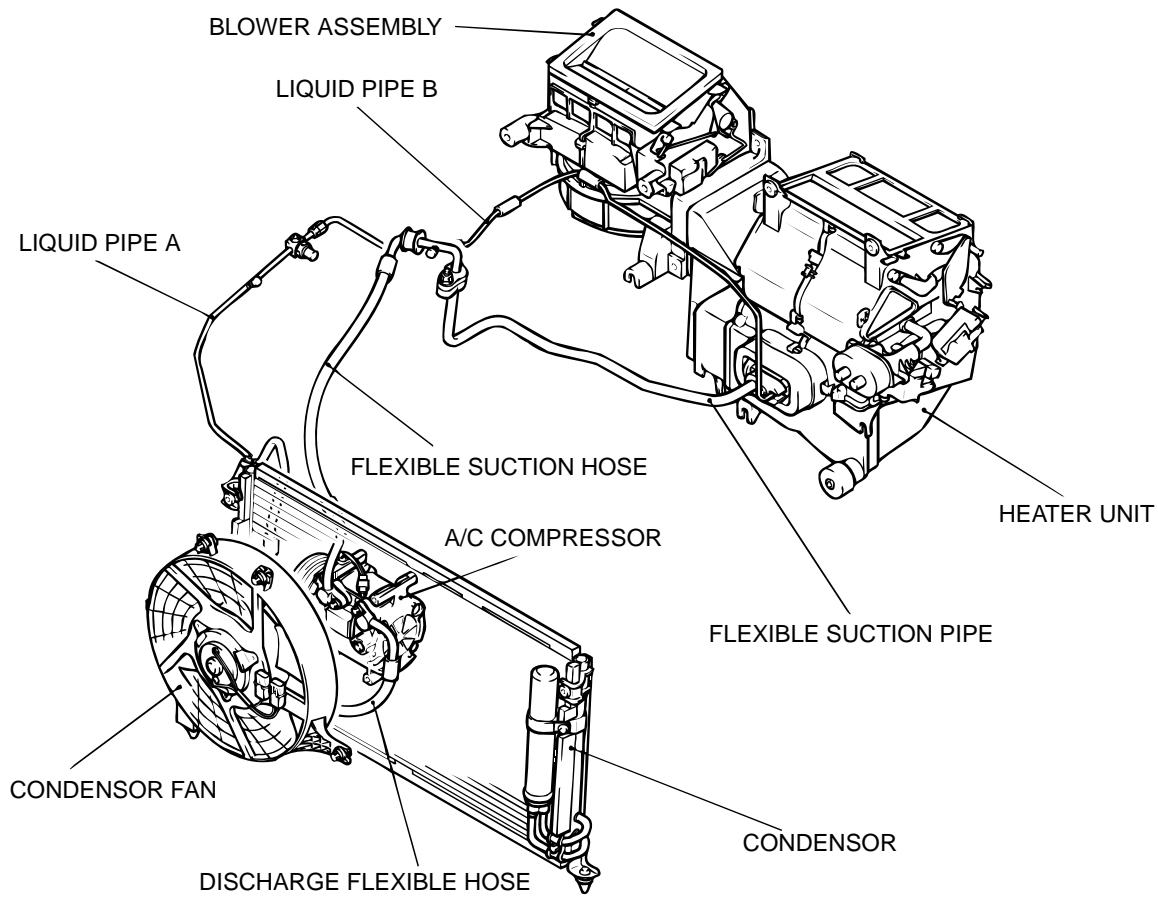
**Improvements in service quality**

1. O-ring dropout prevention structure for the refrigerant lines.
2. Reduction of gas leakage and improvement in service performance by incorporating condenser and receiver

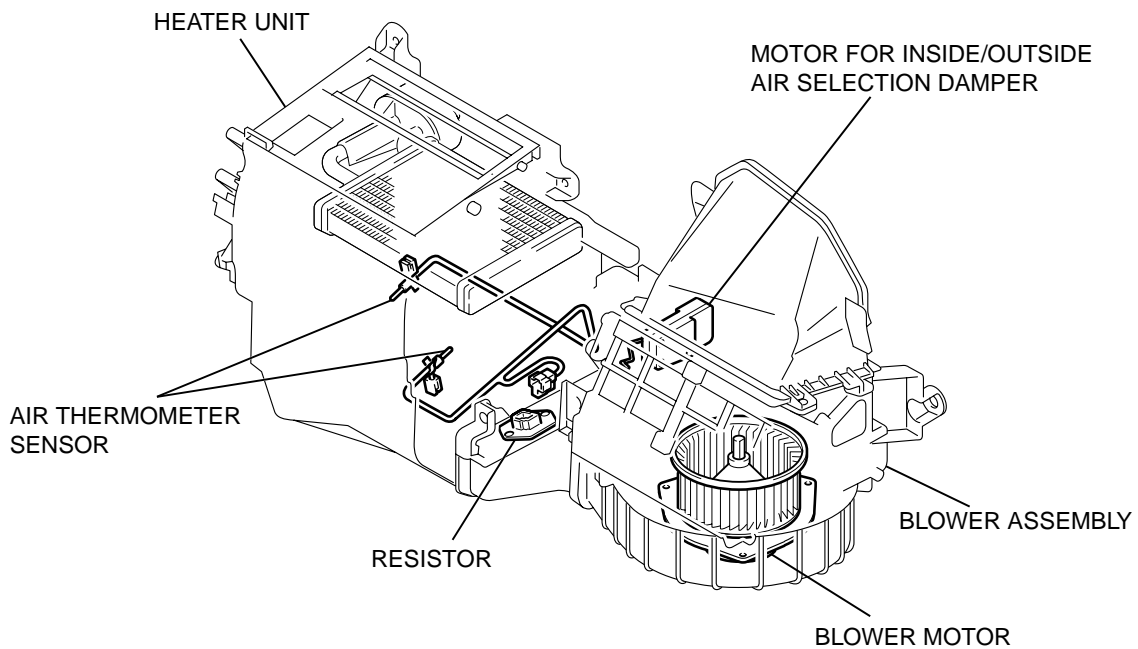
**SPECIFICATIONS**

ITEM		SPECIFICATION
Heater unit type		Two-way blow full air mix method
Heater control method		Dial type
Air conditioner switch type		Push button type
Compressor		MSC90C
Compressor type		Scroll type
Refrigerant	Type	R134a (HFC-134a)
	Filled air volume g	480 – 520

CONSTRUCTION DIAGRAM



AC210187AB

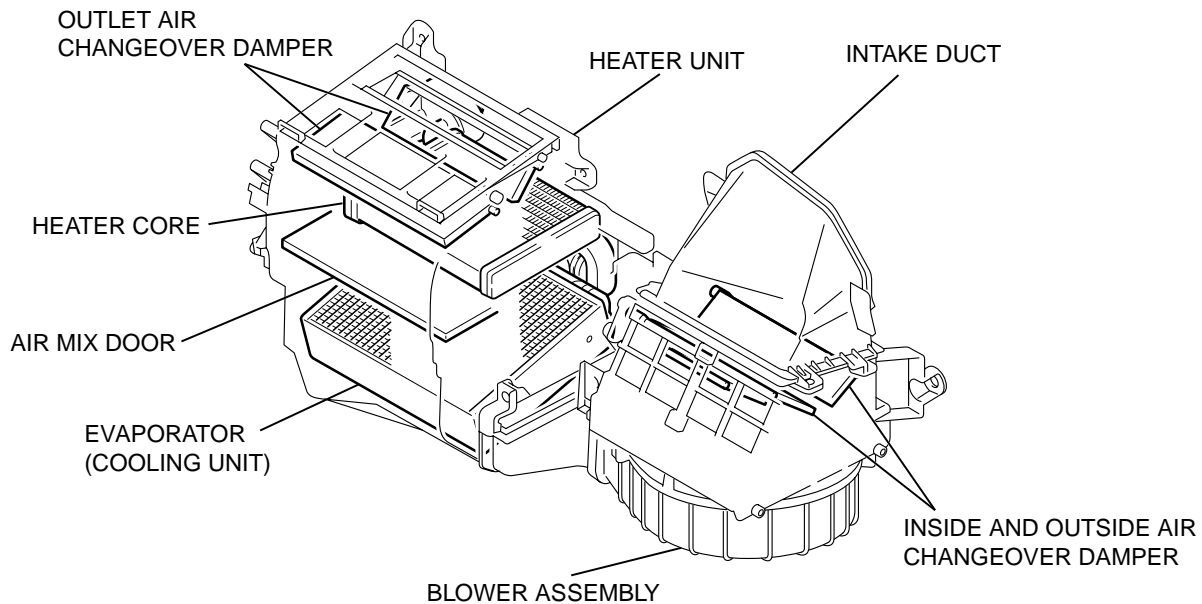


AC211012AB

# HEATER AND AIR CONDITIONER SYSTEM

M2551001000197

## BLOWER ASSEMBLY AND HEATER UNIT

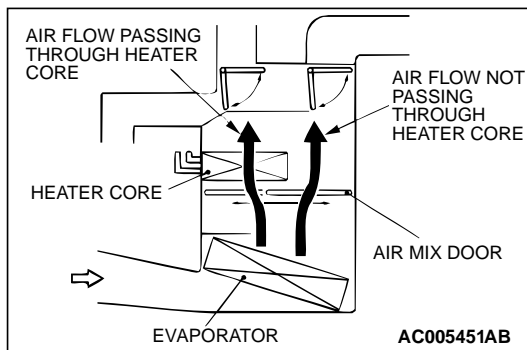


AC211013AB

The blower assembly and heater unit increases air volume, reduces noise and improves air-conditioning performance and the car interior air environment.

- Installation of two-way blow full air mix heater

- Incorporation of heater and cleaning unit
- Increase in the outside air intake duct area size of the blower assembly and optimization of the shape

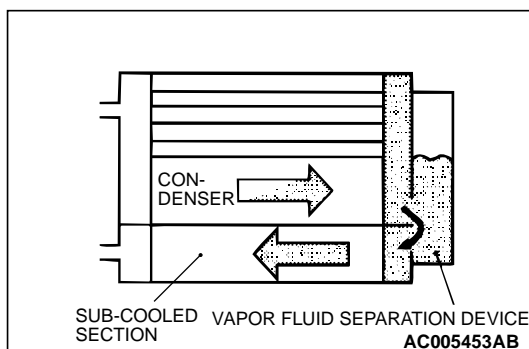


### TWO-WAY BLOW FULL AIR MIX HEATER

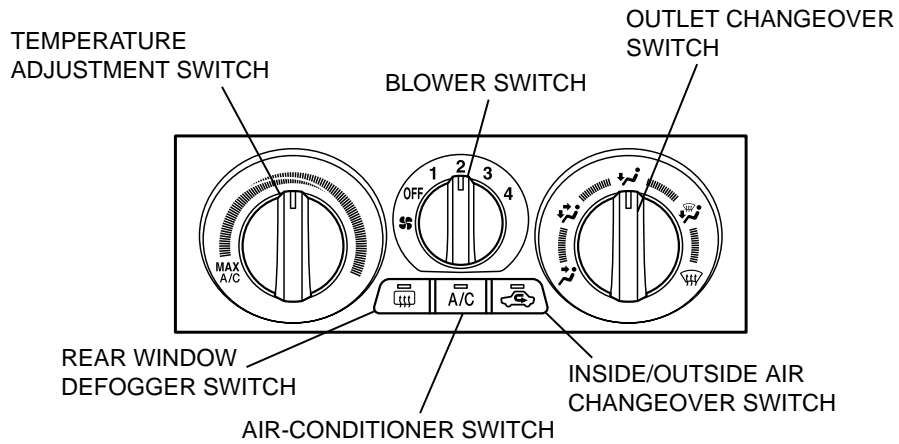
In the heater unit, there are two currents of air, one which passes through the heater core, and one which does not pass through the core. One air mix door is used for temperature control. The two-way blow full mix heater with low ventilation resistance has increased air volume and has reduced noise.

### CONDENSER

The heat exchange efficiency has been improved with a sub-cooling type condenser added with a sub-cooled section. The reduction of line unions by incorporating the condenser and receiver reduces a possibility of gas leakage and increases service performance.



HEATER AND AIR CONDITIONER CONTROL



AC006080AB

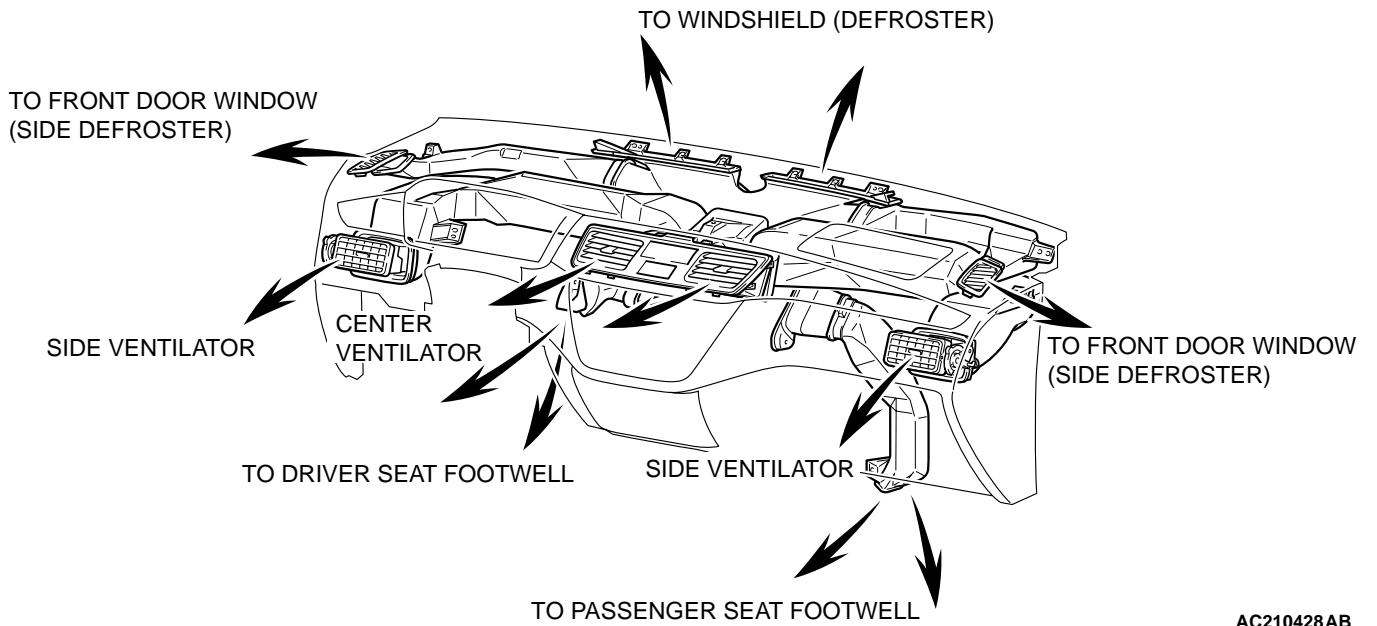
The following are heater and air conditioner control improvements:

- Dial type switch
- Rear window defogger switch with timer
- Improved appearance by incorporating the center panel

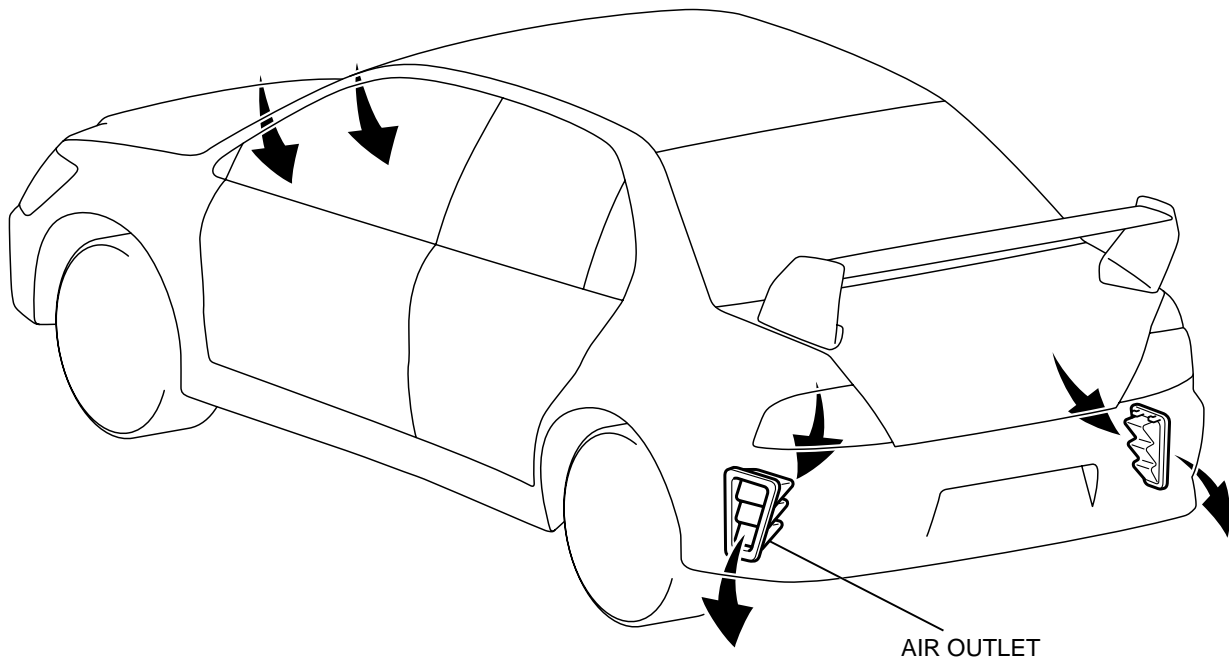
# VENTILATION SYSTEM

M2551002000145

## DESCRIPTION OF STRUCTURE AND OPERATION



AC210428AB



AC210865AB

The following increases air volume for ventilation and for defogging windows.

- Increased outside air intake duct area
- Increased size of air outlet on the back of the rear bumper
- Installation of blower type defroster