
GROUP 5

**SYNTHETIC-RESIN
PARTS**

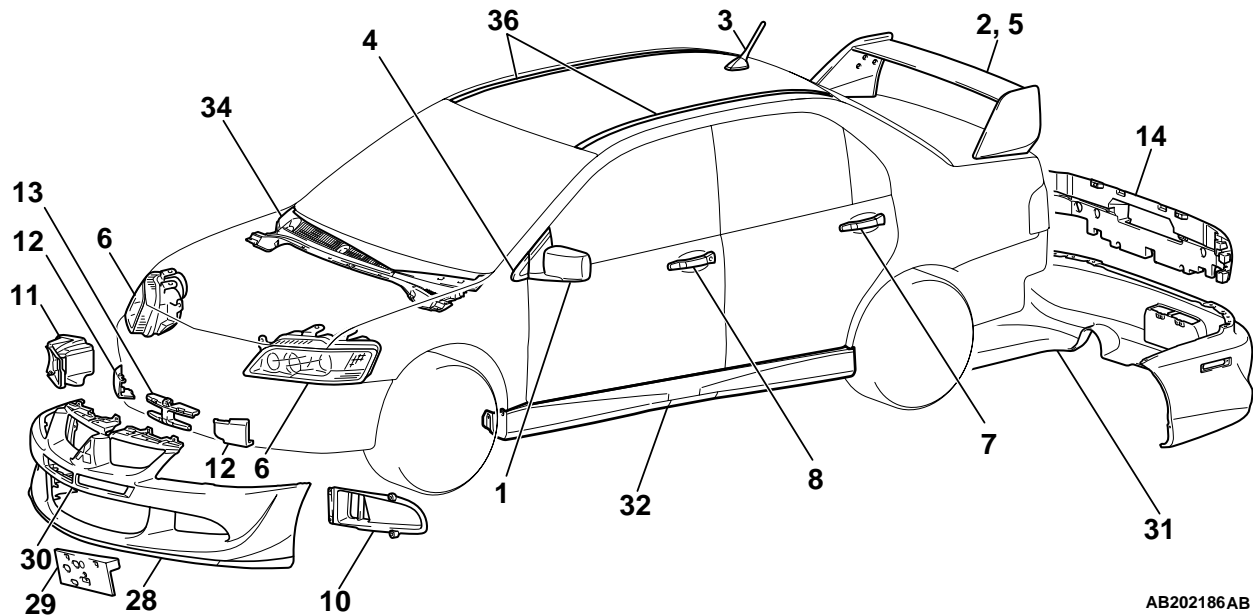
CONTENTS

LOCATION OF SYNTHETIC-RESIN PARTS	5-2
--	------------

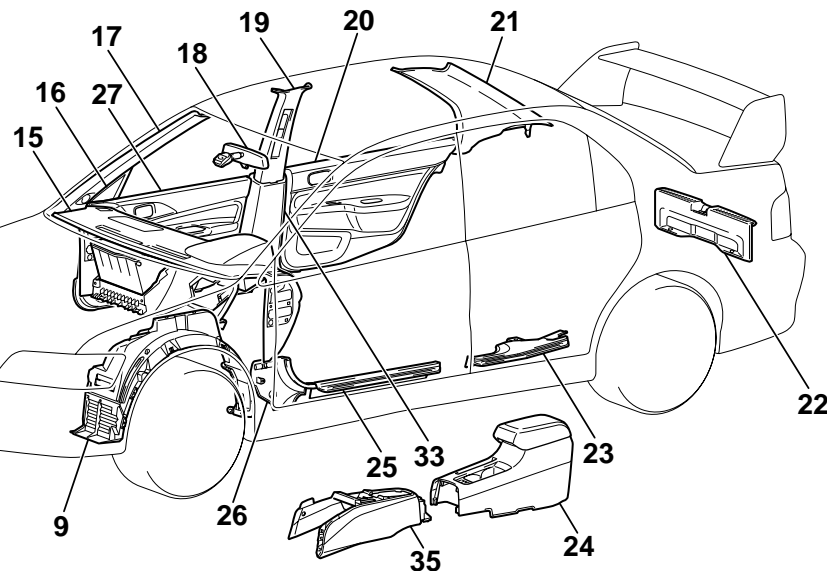
LOCATION OF SYNTHETIC-RESIN PARTS

M4050001000117

The location and material of each of the principal synthetic-resin parts are shown below.



AB202186AB



AB202187AB

NO	PART NAME	NAME OF RESIN	ABBREVIATION	HEAT-WITHSTAND TEMP [°C (°F)]
1	Door mirror	Acrylonitrile butadiene styrene	ABS	80 (176)
2	Roof spoiler <TYPE B>			
3	Roof antenna	Acrylonitrile ethylene styrene	AES	90 (194)
4	Delta outer garnish	Acrylonitrile styrene acrylate	ASA (AAS)	80 (176)
5	Roof spoiler <TYPE A>	Carbon fibre reinforced plastic	CFRP	80-100 (176-212)
6	Headlight	Polycarbonate	PC	120 (248)
7	Rear door outside handle	Polycarbonate+Acrylonitrile butadiene styrene	PC+ABS	120-125 (248-257)
8	Front door outside handle			

NO	PART NAME	NAME OF RESIN	ABBREVIATION	HEAT-WITHSTAND TEMP [°C (°F)]
9	Splash shield	Polyethylene	PE	100 (212)
10	Front bumper side cover	Polypropylene	PP	80 (176)
11	Oil cooler duct			
12	Front bumper side core			
13	Front bumper center core			
14	Rear bumper core			
15	Instrument panel			
16	Delta inner cover			
17	Front pillar trim			
18	Inside rear view mirror			
19	Center pillar trim			
20	Rear door trim			
21	Rear pillar trim			
22	Rear end trim			
23	Rear scuff plate			
24	Rear console box			
25	Front scuff plate			
26	Cowl side trim			
27	Front door trim	Rubber denatured polypropylene	PP+E/P	80 (176)
28	Front air dam panel	Talc filled rubber modified polypropylene	PP+E/P-TD(HMPP)	80-100 (176-212)
29	License plate garnish			
30	Front bumper face			
31	Rear bumper face			
32	Side sill extension	Talc filled rubber modified polypropylene (20%)	PP+E/P-TD20 (HMPP)	110 (230)
33	Center pillar trim, lower	Talc filled polypropylene (10%)	PP-TD10 (PPF)	100-120 (212-248)
34	Front deck garnish	Talc filled polypropylene (20%)	PP-TD20 (PPF)	120-130 (248-266)
35	Floor console			
36	Roof drip molding	Polyvinyl chloride	PVC	80 (176)

NOTE:

- If the material symbols designated by the ISO differ from the old symbols, both are given, with the old symboling enclosed in brackets.
ISO: International Standardization Organization.
- A slash (/) in the material symbol indicates that two different materials make two-layer construction. A plus sign (+) indicates that the two different materials mix each other.

- The indicated heat-withstand temperature for parts which are composed of two or more types of material is the value for the material with the lowest heat-withstand temperature.
- The material symbols for synthetic-resin parts are embossed on the parts in hidden places.

NOTES