

---

**GROUP 4****CORROSION  
PROTECTION****CONTENTS**

<b>BODY SEALING LOCATIONS .....</b>	<b>4-2</b>	<b>UNDERBODY ANTICORROSION AGENT LOCATIONS .....</b>	<b>4-7</b>
<b>UNDERCOAT APPLICATION LOCATIONS .....</b>	<b>4-6</b>		

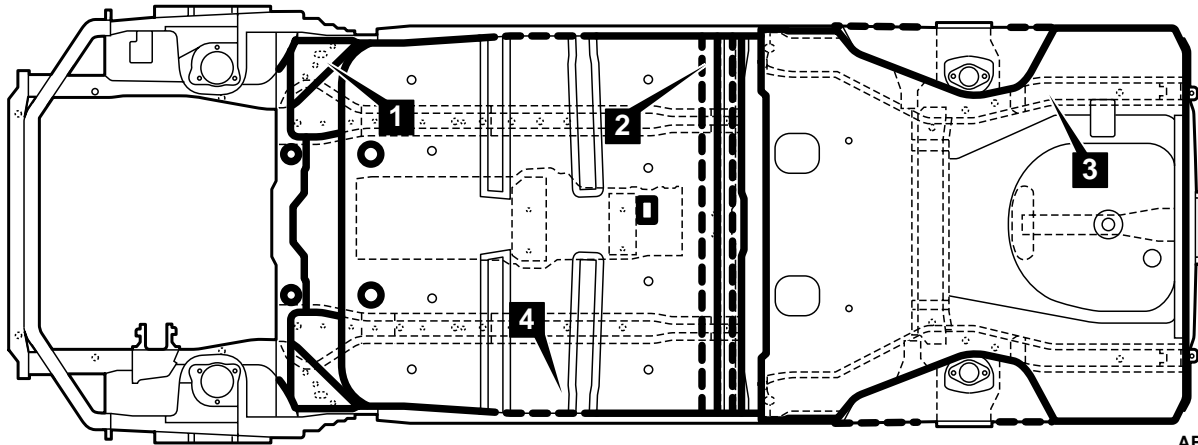
## BODY SEALING LOCATIONS

M4040001000138

If the sealant application is directly visible on the outer plate and requires appearance quality of the application in areas such as the drip rail, pillar, clinch and so on, then apply the sealant so that it is flat, or wipe off any excess mounding after the application. Be careful not to obstruct the water draining hole.

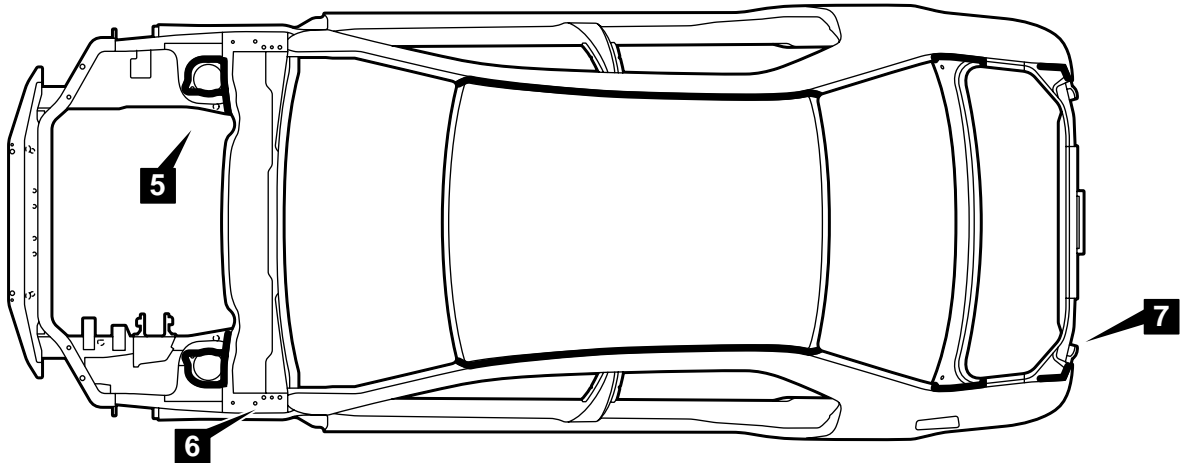
*NOTE: The bold dotted line indicates the application area on the rear.*

### FLOOR



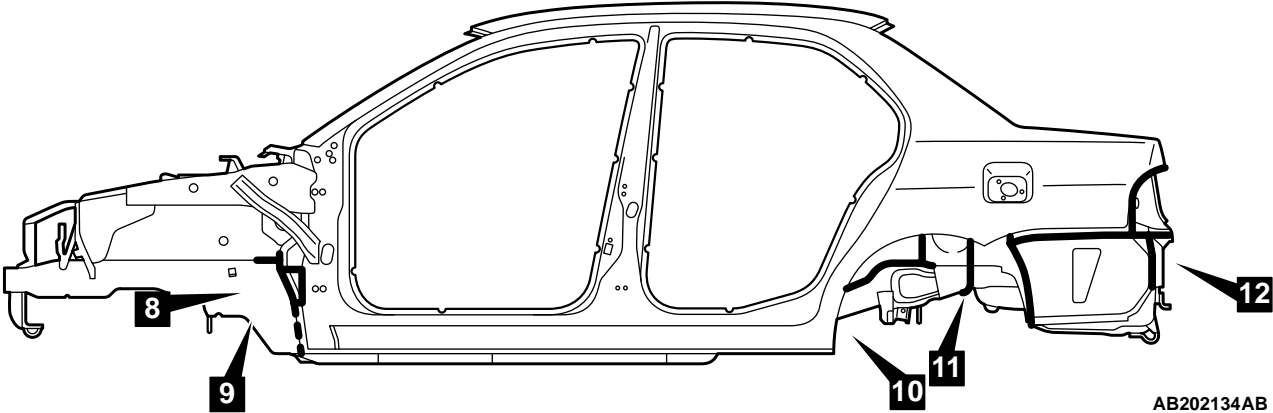
AB202132AB

### UPPER BODY

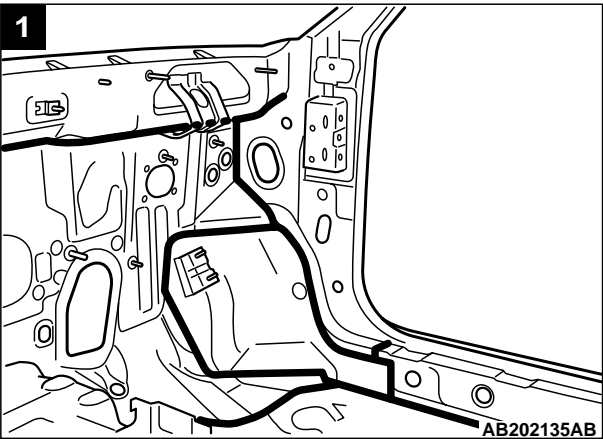


AB202133AB

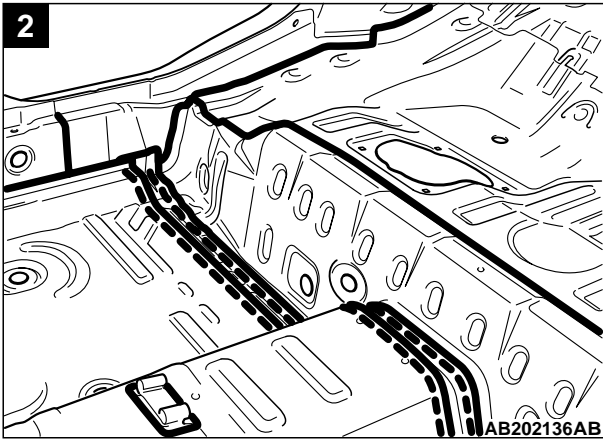
SIDE BODY



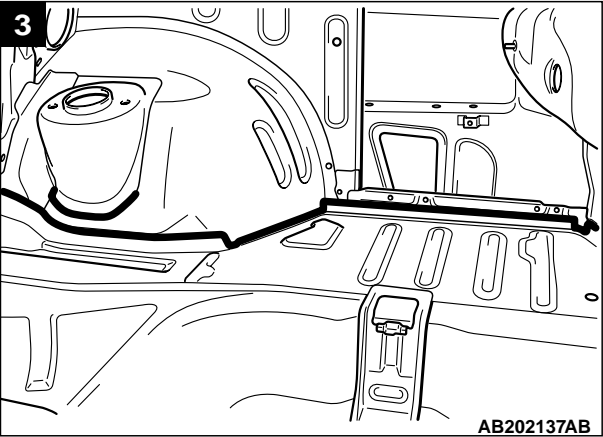
AB202134AB



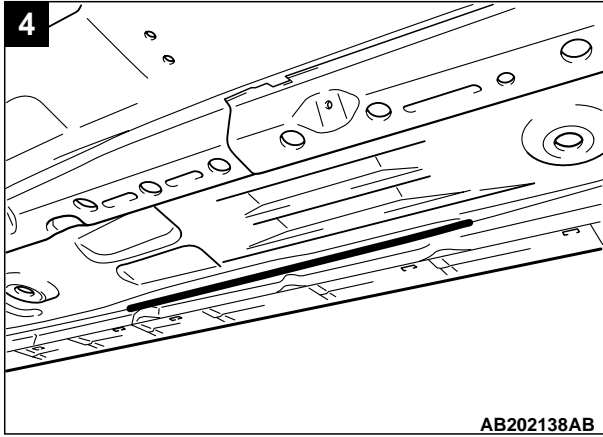
AB202135AB



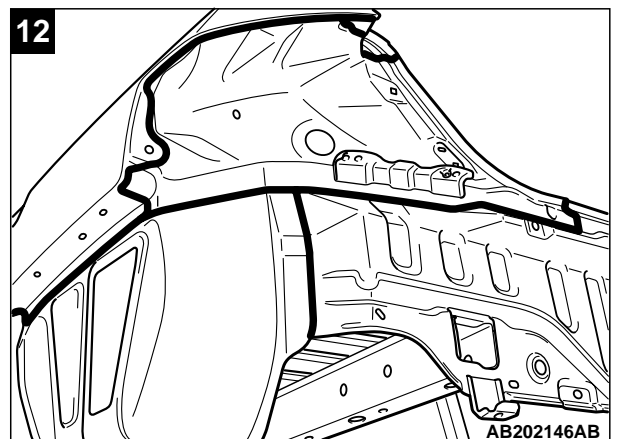
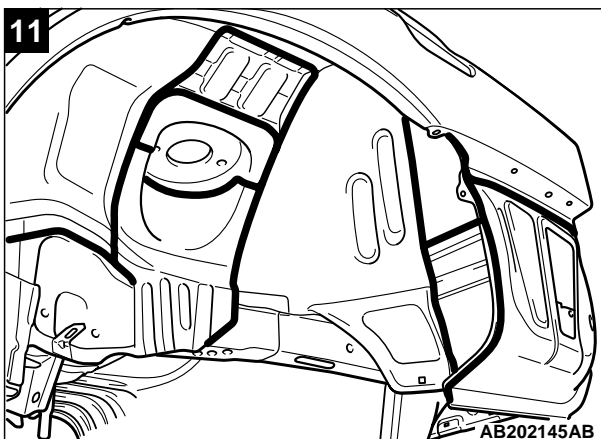
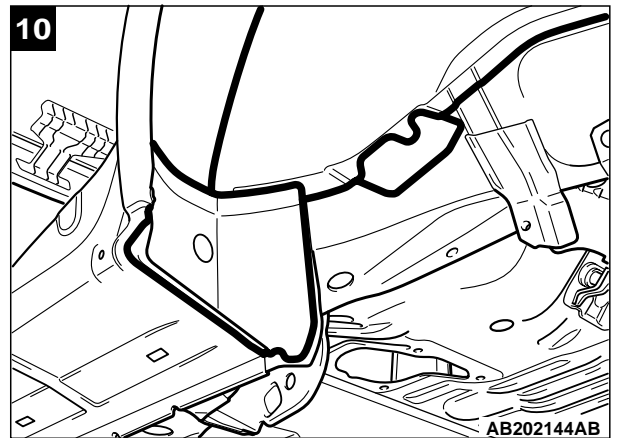
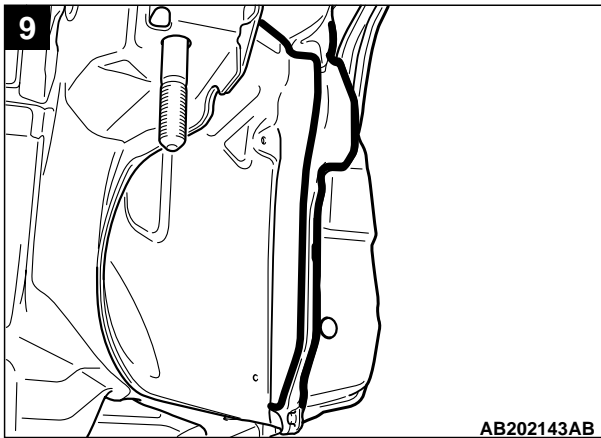
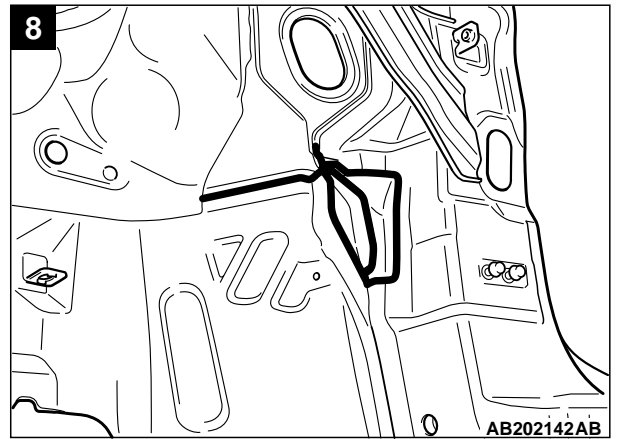
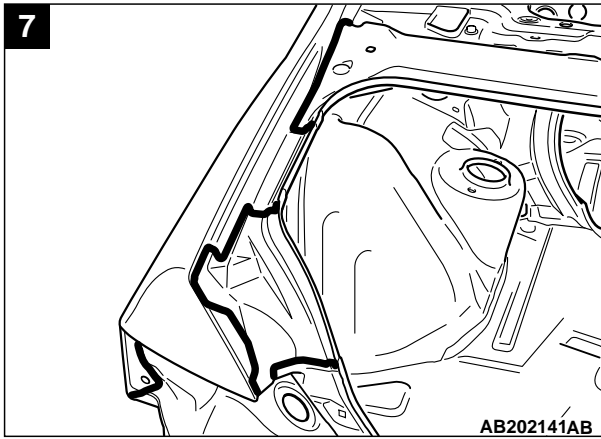
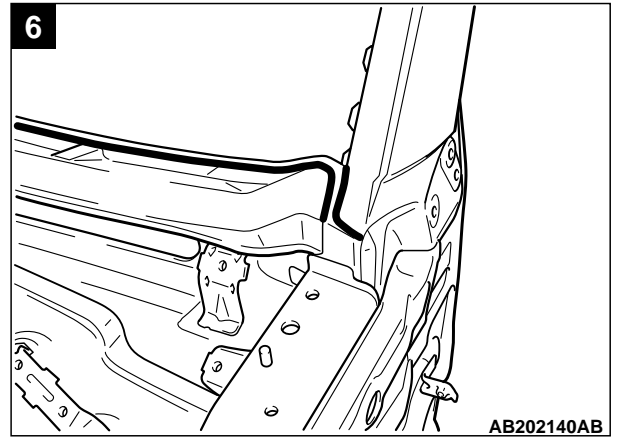
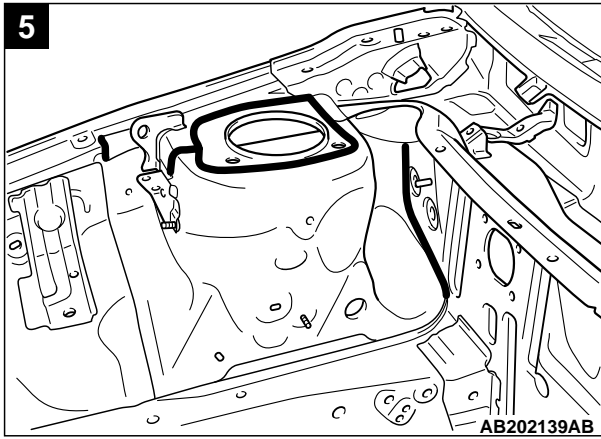
AB202136AB



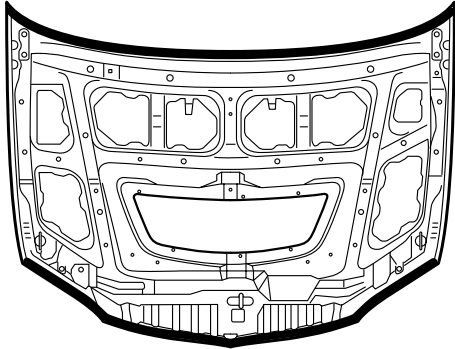
AB202137AB



AB202138AB

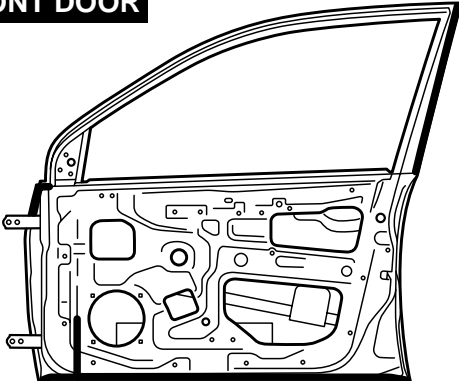


**HOOD**



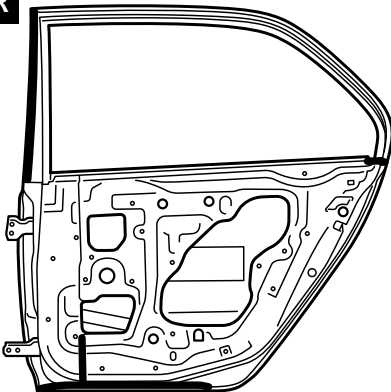
AB202131AB

**FRONT DOOR**



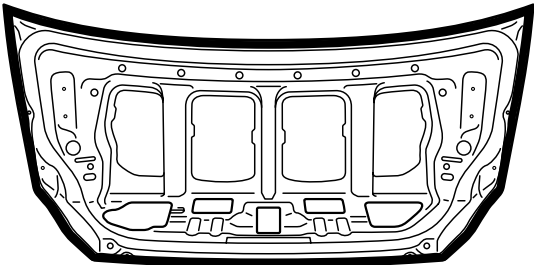
AB202147AB

**REAR DOOR**



AB202148 AB

**TRUNK LID**



AB202149 AB

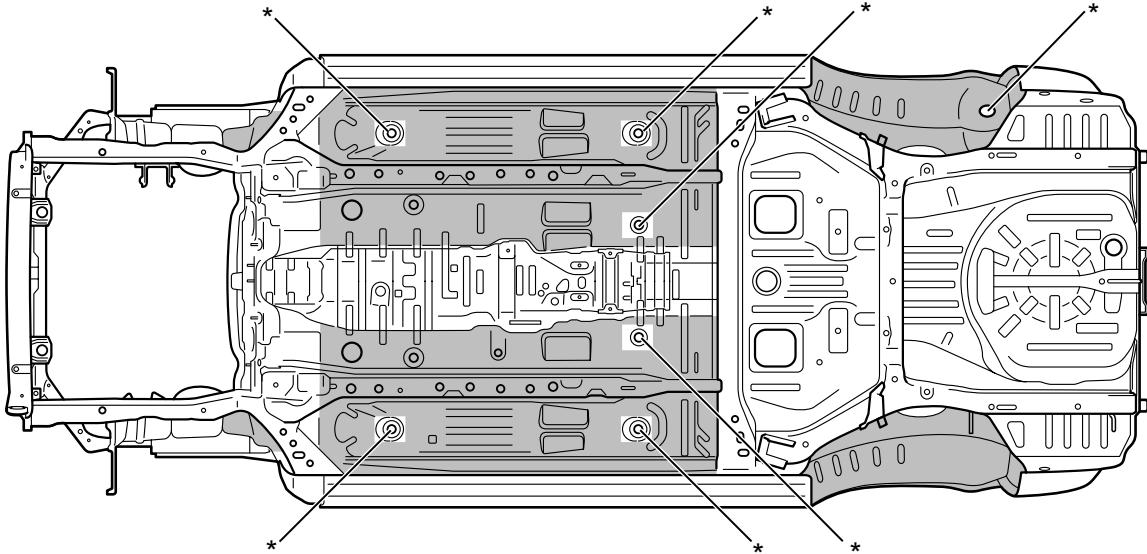
## UNDERCOAT APPLICATION LOCATIONS

M4040003000112

The under parts of the body is undercoated for anti-corrosive, anti-rust, anti-chipping, and anti-vibration performance.

After correcting the body, restore as shown in the instructions of the figure, if necessary.

Tape the areas marked with an asterisks to protect those areas from getting any undercoating on those areas.



■ : UNDERCOAT [FILM THICKNESS IS AT LEAST 0.5 mm (0.02 inch)]

AB202123AB

## UNDERBODY ANTICORROSION AGENT LOCATIONS

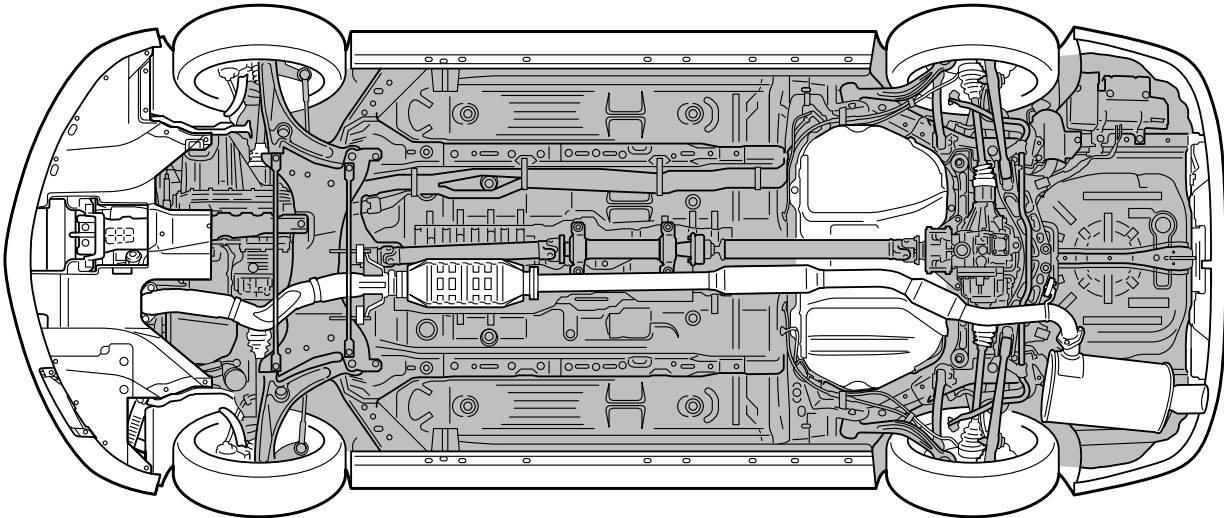
M4040009000024

In order to provide a greater corrosion resistance, underbody corrosion prevention treatment should be performed after undercoat application. After completing body repairs, restore this underbody corrosion prevention treatment as indicated in the illustration if necessary. Recommend wax:

- Tectyl 506T, 506 or S
- Waxoyl

**NOTE:**

- Take care not to permit the anticorrosion agent to come in contact with body painting, brake parts, exhaust pipes, bearing seals for rear axle and rambler parts (such as tires and drive shaft boots).
- If anticorrosion agent gets onto the oxygen sensor, it will cause a drop in the performance of the sensor. Cover the oxygen sensor with a protective material when applying anti-corrosion agents and undercoats.



■ :100  $\mu$  or more

AB202188AB

---

## NOTES